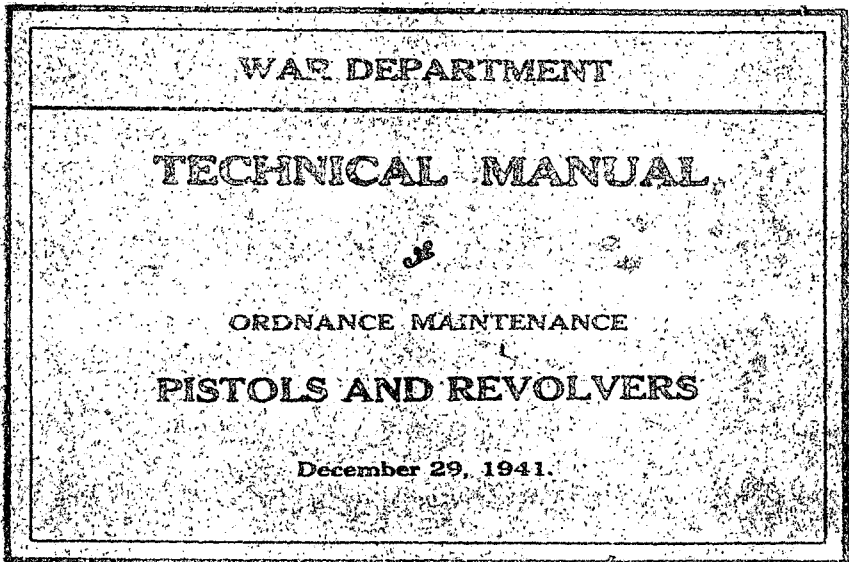


UD
410
U52
1941

U.S.A.

*TM 9-1295



*Superseded
by
1942 ed.*

ORDNANCE MAINTENANCE

PISTOLS AND REVOLVERS

Prepared under direction
of the
Chief of Ordnance

	Paragraphs
Introduction -----	1
Distinguishing characteristics -----	2
Inspection of the pistol -----	3
Inspection of the Smith and Wesson revolver, M1917	4
Inspection of the Colt revolver, M1917 -----	5
Inspection report -----	6
General instructions for maintenance -----	7
Instructions for repair of parts -----	8
List of references -----	9

*This pamphlet supersedes TR 1400-45A, Ordnance Maintenance
Infantry and Aircraft Armament, December 13, 1927.

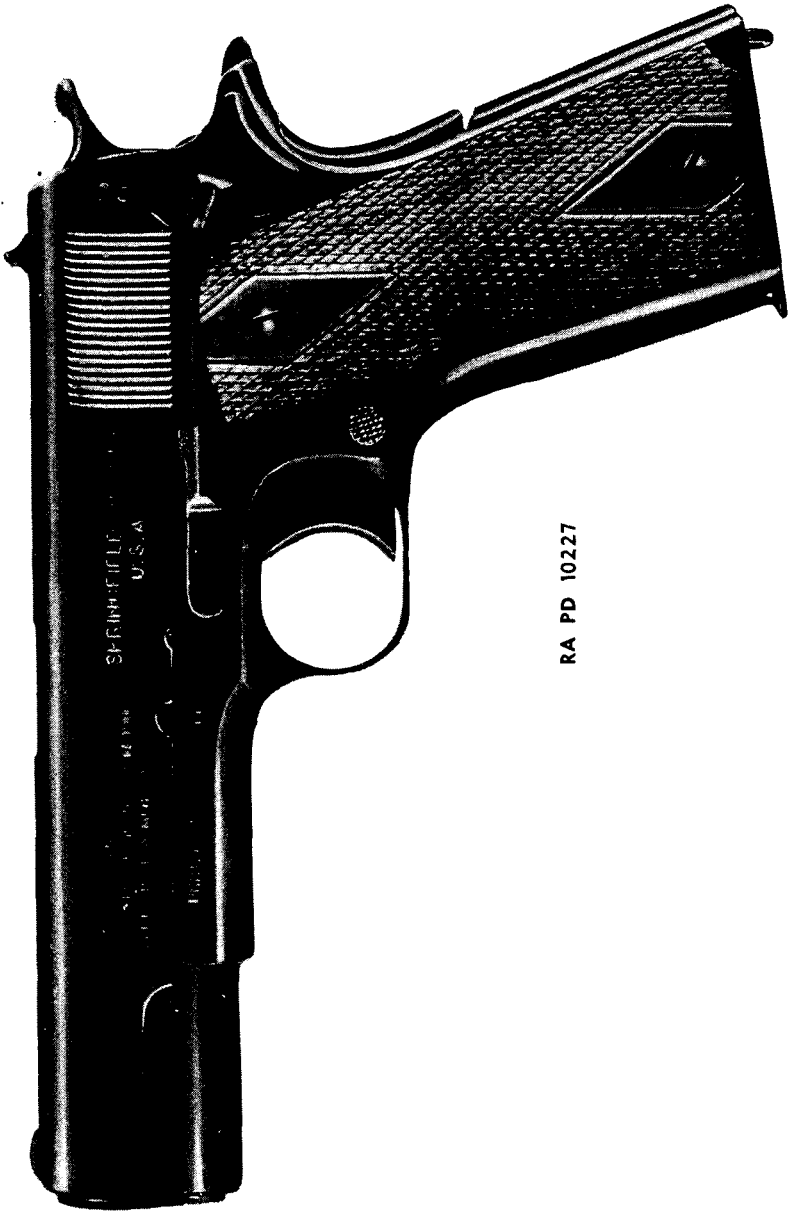
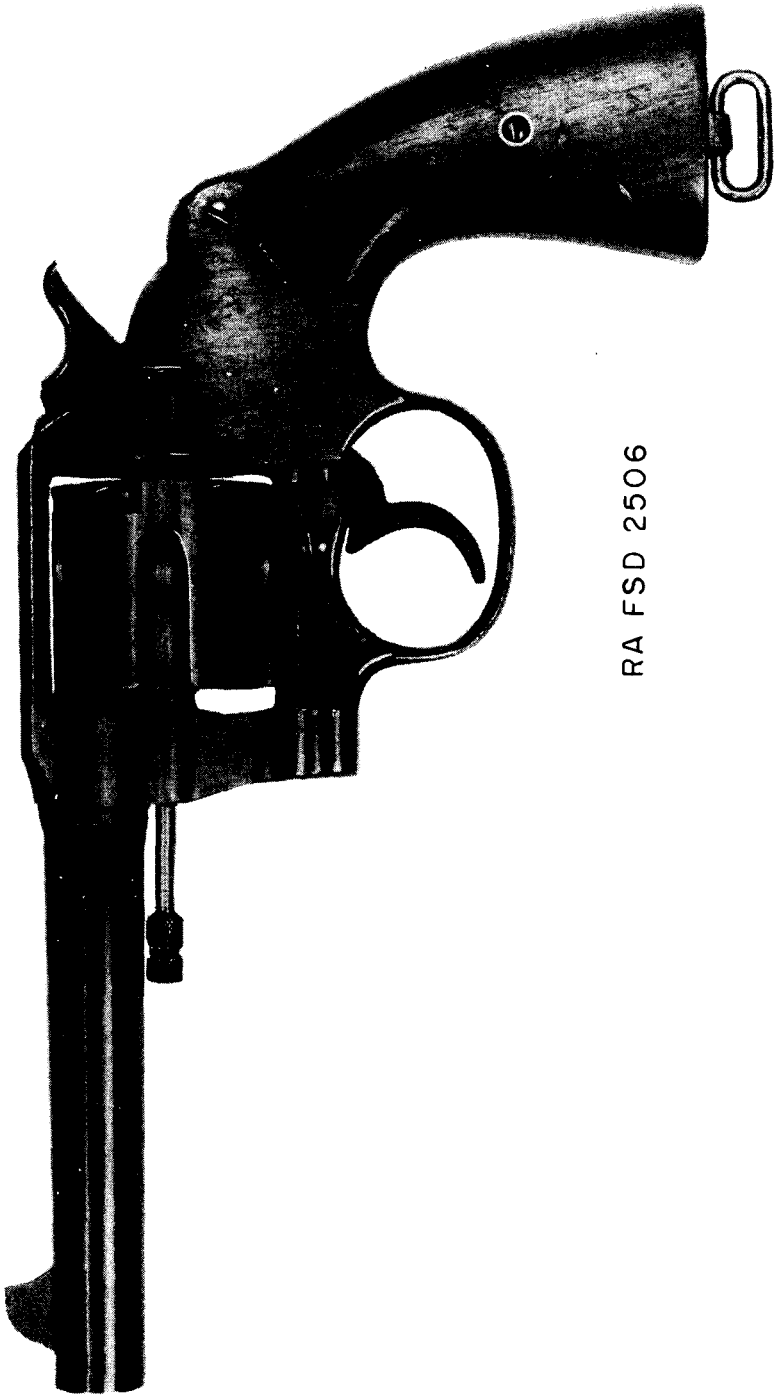


FIGURE 1 — AUTOMATIC PISTOL, CAL. .45, M1911, ASSEMBLED



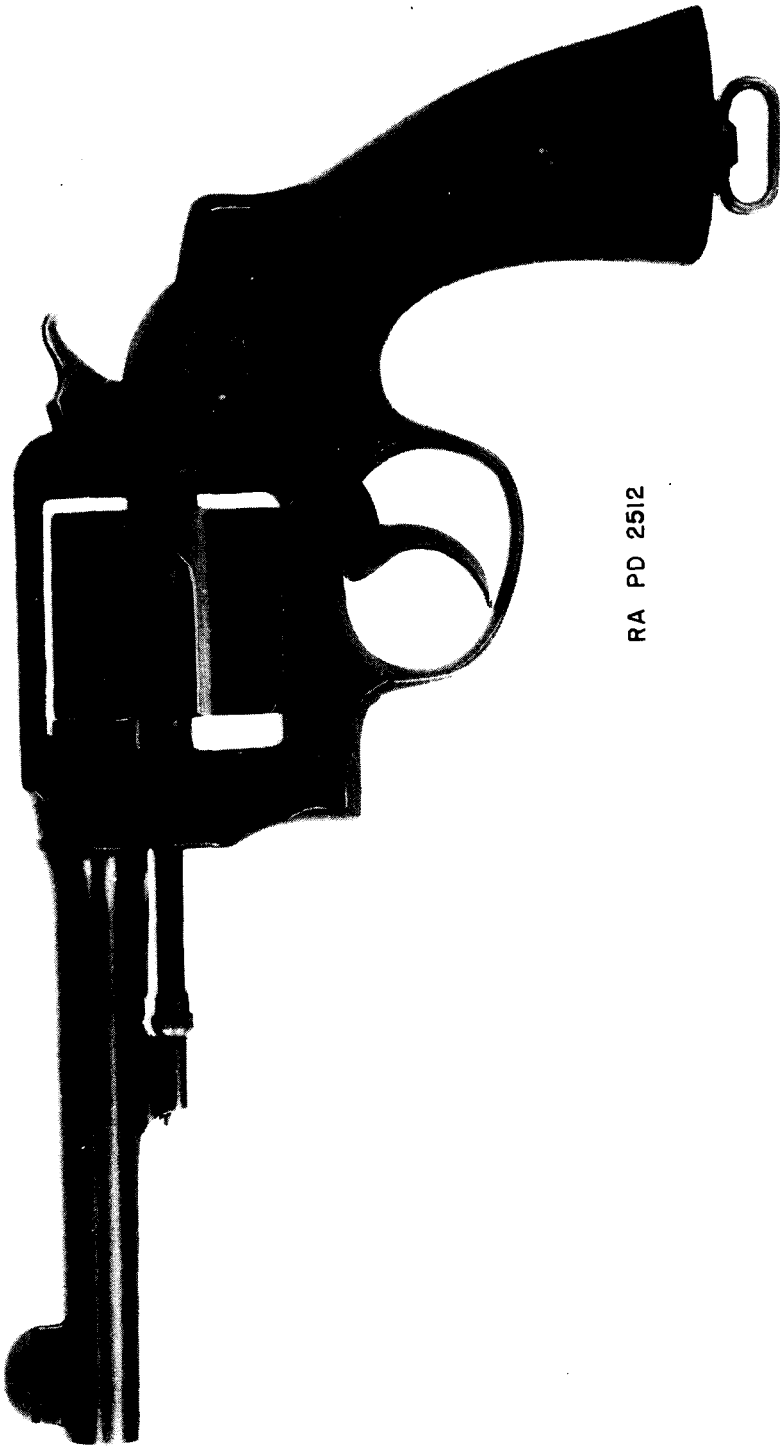
RA PD 10228

FIGURE 2 — AUTOMATIC PISTOL, CAL. .45, M1911A1, ASSEMBLED



RA FSD 2506

FIGURE 3 — COLT REVOLVER, CAL. .45, M1917 - LEFT SIDE VIEW



RA PD 2512

FIGURE 4 — SMITH & WESSON REVOLVER, CAL. .45, M1917 - LEFT SIDE VIEW

ORDNANCE MAINTENANCE

1. INTRODUCTION. - This manual is published for the information and guidance of ordnance maintenance personnel. It contains instructions for inspection, disassembly, assembly, maintenance and repair of the automatic pistol, cal..45, M1911 and M1911A1; Colt revolver, cal..45, M1917; and Smith and Wesson revolver, cal..45, M1917, supplementary to the information contained in the references of paragraph 9. Additional descriptive matter and illustrations are included to aid in providing a complete working knowledge of the materiel.

2. DISTINGUISHING CHARACTERISTICS. - The differences between the M1911 and M1911A1 automatic pistols do not affect the maintenance of the weapons. Organizations called upon to repair M1911A1 pistols will make reference to the automatic pistol, cal..45, M1911.

3. INSPECTION OF THE PISTOL. -

Parts to be inspected, in order of inspection	Points to be observed
<p><u>a.</u> The pistol as a unit.</p>	<p><u>a.</u> General appearance, action of slide, smoothness of operation, function of safety lock, grip safety, slide stop, and magazine catch. Alinement of sights, split stocks, missing stock screws. Trigger pull.</p>
<p><u>b.</u> Barrel bushing.</p>	<p><u>b.</u> Burrs.</p>
<p><u>c.</u> Recoil spring.</p>	<p><u>c.</u> Tension.</p>
<p><u>d.</u> Main-spring housing.</p>	<p><u>d.</u> Burrs, tension of main spring.</p>
<p><u>e.</u> Sear spring.</p>	<p><u>e.</u> Tension and broken leafs.</p>
<p><u>f.</u> Sear.</p>	<p><u>f.</u> Worn nose.</p>
<p><u>g.</u> Hammer.</p>	<p><u>g.</u> Worn sear notch, broken hammer strut.</p>
<p><u>h.</u> Disconnecter.</p>	<p><u>h.</u> Burred or worn.</p>
<p><u>i.</u> Trigger.</p>	<p><u>i.</u> Burred or bent.</p>
<p><u>j.</u> Receiver.</p>	<p><u>j.</u> Burrs, loose ejector. Defaced markings.</p>
<p><u>k.</u> Slide.</p>	<p><u>k.</u> Burrs on recoil guide-ways and locking recesses.</p>
<p><u>l.</u> Firing pin.</p>	<p><u>l.</u> Short or worn.</p>

PISTOLS AND REVOLVERS

Parts to be inspected,
in order of inspection

- m. Firing-pin spring.
- n. Extractor.
- o. Barrel.

Points to be observed

- m. Tension.
- n. Broken claw, weak.
- o. If the barrel is free from pits and bulges, and lands are sharp and distinct, it is serviceable. If the barrel is pitted but free from bulges and has sharp lands, it is still serviceable and will be sufficiently accurate. This condition, however, implies that the barrel has not been given proper care. If the lands are pitted and have lost their sharpness, the barrel will be inaccurate and should be replaced. This condition is always due to neglect. If the lands are worn down, due to extensive firing, and therefore are no longer sharp, pits are to be expected as they are characteristic of a worn-out barrel which should be replaced. If the barrel has a bulge discernible to the eye when sighted through at a string held 2 or 3 feet in front of the barrel, even though otherwise in good condition, it should be replaced. Burrs on muzzle.

p. The magazine as
a unit.

p. Burrs and dents.

q. Magazine spring.

q. Kinks and tension.

r. Magazine follower.

r. Burrs.

4. INSPECTION OF THE SMITH AND WESSON REVOLVER, M1917. -

Parts to be inspected,
in order of inspection

a. The Smith & Wesson
revolver as a unit.

Points to be observed

a. General appearance,
smoothness of operation. Func-

ORDNANCE MAINTENANCE

Parts to be inspected,
in order of inspection

- b. Thumb piece.
- c. Crane.
- d. Cylinder.
- e. Ejector.
- f. Ejector spring.
- g. Center rod.
- h. Hammer.
- i. Cylinder bolt.
- j. Stocks.
- k. Front sight.
- l. Barrel.

Points to be observed
tion by snapping hammer. Missing
side plate screws. Examine frame
carefully for cracks where barrel
is screwed into frame. Defaced,
markings.

- b. Function, missing nut,
burrs.
 - c. Burrs, alinement. Num-
ber on crane should correspond
with number on frame.
 - d. Burrs, rust, powder
fouling, and pits.
 - e. Burrs and alinement.
 - f. Tension.
 - g. Function and tension
of spring.
 - h. Smoothness of opera-
tion. Broken firing pin. Loose
firing pin, rivet.
 - i. Function, tension of
spring. (Cylinder bolt should
hold cylinder firmly in place
when hammer is down, also when
hammer is cocked.)
 - j. Cracks, loose stock
screw.
 - k. Burrs and alinement.
 - l. Looseness in frame.
- (see par. 3 o.)

5. INSPECTION OF THE COLT REVOLVER, M1917. -

Parts to be inspected,
in order of inspection

- a. The Colt revolver
as a unit.

Points to be observed

- a. General appearance,
smoothness of operation, missing
side plate screws. Look carefully
for cracks in frame where barrel
is screwed in. Missing or burred
crane lock and screw. Defaced
markings.

PISTOLS AND REVOLVERS

Parts to be inspected,
in order of inspection

Points to be observed

- | | |
|---------------------------|--|
| <u>b.</u> Latch | <u>b.</u> Smoothness of operation. Tension of latch spring. |
| <u>c.</u> Crane. | <u>c.</u> Burrs, alinement. Number of crane should correspond with number on frame. |
| <u>d.</u> Cylinder. | <u>d.</u> Burrs, rust, powder fouling, and pits. |
| <u>e.</u> Ejector. | <u>e.</u> Burrs and alinement. |
| <u>f.</u> Ejector spring. | <u>f.</u> Tension. |
| <u>g.</u> Hammer. | <u>g.</u> Smoothness of operation. Broken firing pin. |
| <u>h.</u> Cylinder bolt. | <u>h.</u> Function. Tension of spring. (Cylinder bolt should hold cylinder firmly in place when hammer is down, also when hammer is cocked.) |
| <u>i.</u> Stocks. | <u>i.</u> Cracks, loose stock screw. |
| <u>j.</u> Front sight. | <u>j.</u> Burrs and alinement. |
| <u>k.</u> Barrel. | <u>k.</u> Looseness in frame. |
- (see par. 3 o.)

6. INSPECTION REPORT. - The procedure to be followed relating to inspection and maintenance is contained in TM 9-1100, "Ordnance Maintenance Procedure -- Materiel Inspection and Repair."

a. In the absence of a prescribed inspection form covering pistols and revolvers, reports of inspection may be submitted on an improvised form showing a heading and form approximately as follows:

ORDNANCE MAINTENANCE

Report of Inspection of Ordnance Materiel

<hr/>		<hr/>
(Organization)		(Station)
<hr/>		<hr/>
(Name of arm)		(Date)
<hr/>		
Serial		Corrective action to
No.	Condition	be taken
6784	O.K. -----	
26763	Worn barrel -----	Exchange with Post O. O.
11212	Rusty barrel -----	Clean locally.
<hr/>		

 (Inspector)

b. This form is used by the corps area or division small-arms inspector in submitting reports upon the completion of inspections, and by organization commanders in reporting upon the completion of the "Corrective action" noted by the inspector. Four copies are made and distributed as follows: One copy to the corps area, division, or other ordnance officer under whose supervision the inspection is made, two copies to the organization commander responsible for the firearms inspected, and one copy retained for the inspector's files.

c. The inspector will fill in the name of the firearm inspected, its serial number, condition, and corrective action to be taken. Where necessary corrections can be made within the organization, the inspector will consult with and advise the organization commander as to the proper methods to be followed. Where the corrections to be made are extensive, complicated, or of a technical nature, the inspector will so indicate in column under heading "Corrective action to be taken" and note that the firearm be sent to the post, camp, station, or field depot for replacement. The inspector's report will be quoted as authority for making the exchange. Should the inspection disclose that the firearm has been damaged or rendered unserviceable through causes other than fair wear and tear, the inspector will so state in the inspection report in order that necessary action may be instituted to place responsibility should his opinion be

PISTOLS AND REVOLVERS

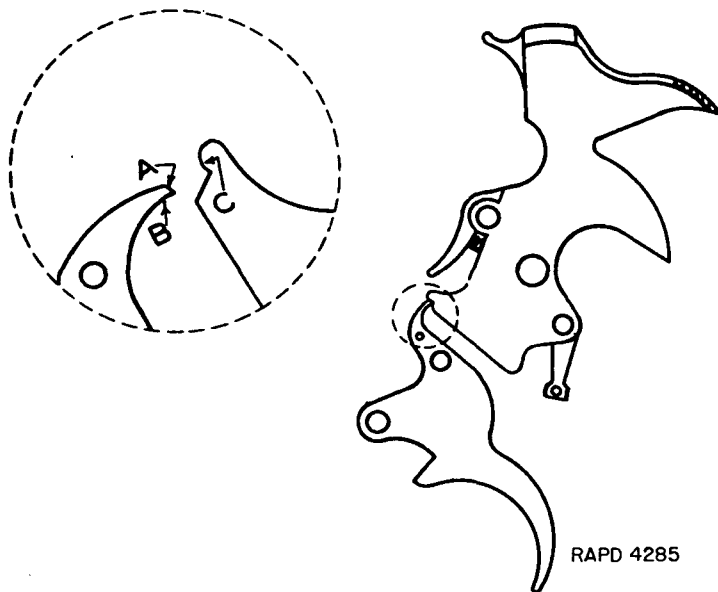
sustained. After the corrections, as indicated by the inspector in column under heading "Corrective action to be taken" have been completed, the organization commander will forward one copy of the inspection report to the corps area, division, or other ordnance officer under whose supervision the inspection was made. One copy will be retained for the organization files.

7. GENERAL INSTRUCTIONS FOR MAINTENANCE. - a. Maintenance of the pistol and revolver consists primarily of replacement of worn or broken parts. Detailed instructions for disassembly and assembly are not given here, as the instructions contained in the references are applicable and should be referred to.

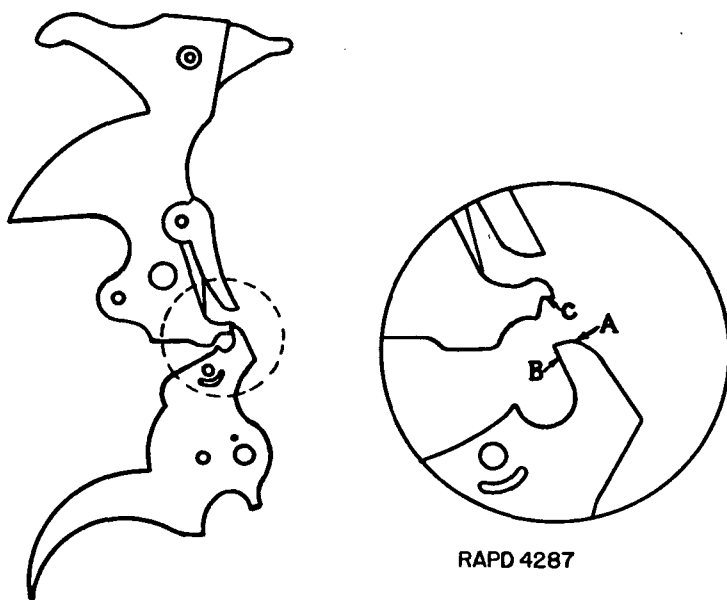
b. Where parts or assemblies, or parts of assemblies, are broken or worn so as to render them unserviceable, they must be replaced from stock. Often only parts of the assembly will be worn or broken. Should it take more time to remove serviceable parts from the assembly than the parts are worth, the assembly should be scrapped.

c. In quantity overhauling of pistols and revolvers, care should be taken in disassembling that the parts of each be kept separate. Certain parts of the revolver, such as the crane, side plate, etc., are not interchangeable.

d. Where there are burrs on cams and smooth surfaces, the part can be made serviceable by removing the burrs. In removing burrs a very fine file is used, care being taken to remove as small amount of metal as possible. Where roughened surfaces are present on moving parts, an oil stone should be used.



**FIGURE 5 — HAMMER AND TRIGGER MECHANISM,
COLT REVOLVER, CAL. .45, M1917**



**FIGURE 6 — HAMMER AND TRIGGER MECHANISM,
SMITH & WESSON REVOLVER, CAL. .45, M1917**

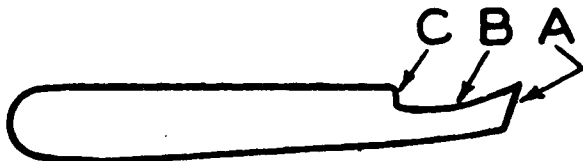
PISTOLS AND REVOLVERS

8. INSTRUCTIONS FOR REPAIR OF PARTS. - a. Trigger pull. The trigger pull in single action should be between 5 and 6-1/2 pounds. A weak trigger pull is one which requires less than 5 pounds pressure on the trigger to release the hammer. A heavy trigger pull is one which requires more than 6-1/2 pounds on the trigger to release the hammer (single action).

(1) To correct weak trigger pull (Colt). - Weak trigger pull may be caused by a weak main spring, worn trigger, worn cock notch on the handle, or a combination of all three. To correct this condition, first stone the rear of the trigger and cock notch on the handle to correct relation. Polish surfaces "A" and "B" on the trigger and "C" on the hammer as shown in figure 5. Should this fail to produce the desired result, replacement of the main spring is necessary.

(2) To correct weak trigger pull (Smith & Wesson). - First check the condition of the springs. Loosen the main spring strain screw until the main spring becomes loose in its seat in the frame. If serviceable, the main spring should become almost perfectly straight when all strain is relieved. If the main spring remains curved, considerably, a new spring should be installed. This will increase the trigger pull slightly. The rebound slide spring may be considered serviceable if it snaps the trigger forward smartly when pressed to the rear and released. Wear of the surface on the rear of the trigger and cock notch on the lower front projection of the hammer may cause a weak trigger pull. Such surfaces can be restored to their original shape by careful use of a fine file and polishing with a fine stone, provided the wear is not excessive. As shown in figure 6, polish surfaces "A" and "B" on the trigger and surface "C" on the hammer with a fine stone, being careful to remove as small amount of metal as necessary.

(3) To correct heavy trigger pull. - Heavy trigger pull is usually caused by dry, roughened surfaces or binding of the parts due to burrs or fouling. Polish the various surfaces with a fine stone and correctly lubricate the parts to remedy this condition.



RAPD 4286

FIGURE 7 — HAND, COLT REVOLVER, CAL. .45, M1917

d. Hand (Colt). - To fit a new hand, it is sometimes necessary to stone the top surface "A" (fig. 7). Install the hand, and slowly cock the hammer, observing surfaces "B" and "C" (fig. 7). If surface "B" (fig. 7), does not clear the ratchet, the necessary clearance should be obtained by filing or stoning the surface. Surface "C" (fig. 7), if necessary, can be lowered by filing and stoning so that it will engage the lower side of its respective flange of the ratchet and continue the rotation of the cylinder. When the cylinder is stopped by the cylinder bolt, surface "C" (fig. 7), should be resting firmly underneath its flange of the ratchet.

c. Ejector. - To assemble a new ejector (with ratchet), first unscrew the old one from the ejector rod. Screw the new ejector on the rod until the end of the rod is approximately flush with the surface in the bored end of the latch pin seat in the ratchet. Aline the ejector so it will seat properly in the cylinder. Upset the rear end of the ejector rod with a punch sufficiently to prevent the unscrewing of the ejector.

d. Barrel. - The barrel should be removed from the frame only for the purpose of tightening or replacement.

(1) To tighten a loose barrel. - First unscrew the barrel (in Smith & Wesson revolver, first remove the barrel pin before attempting to unscrew the barrel.) Clean the threads in the frame and on the barrel. Lightly peen the shoulder of the barrel which fits against the frame enough to tighten the barrel when it is screwed into its original position.

(2) To replace the barrel. - The replacement barrel should be selected so that a minimum amount of fitting is required to

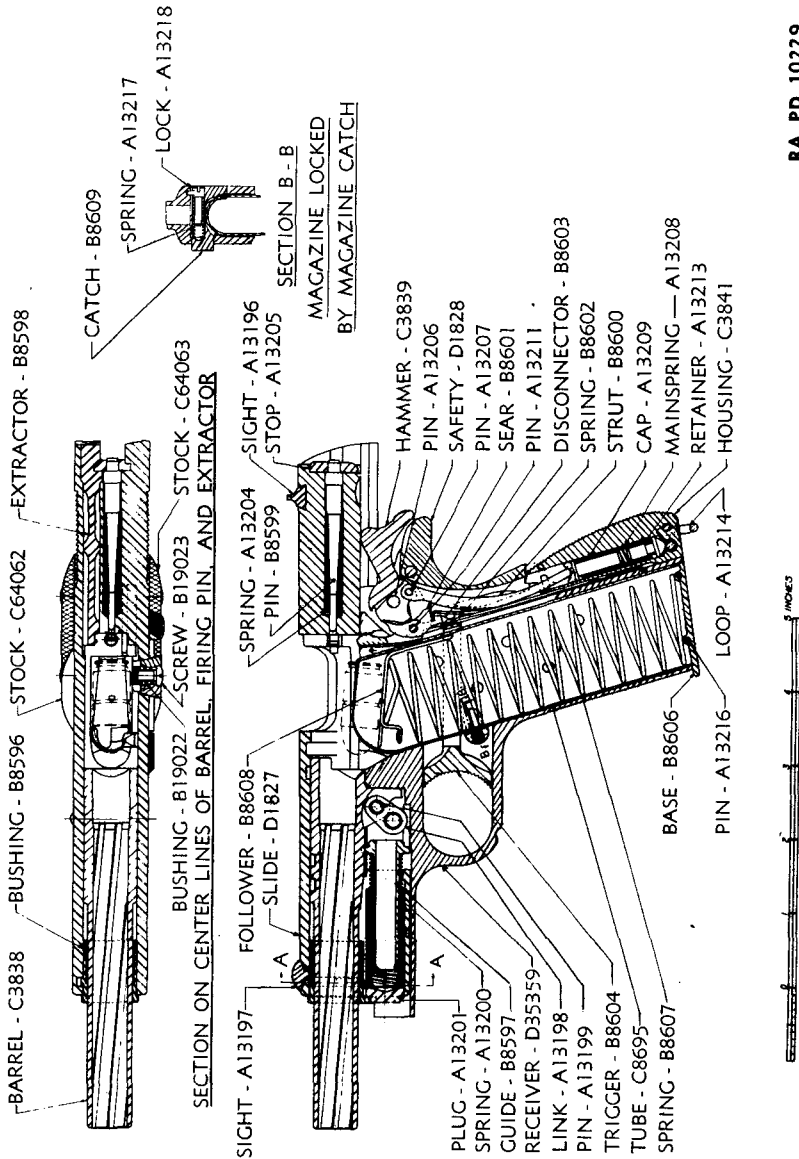
PISTOLS AND REVOLVERS

obtain proper alinement. If necessary, a small amount of metal may be removed from the shoulder of the barrel with a fine file or by lathe to draw it up to alinement. When replacing the barrel, if necessary the rear end should be stoned to obtain the proper clearance between the rear end of the barrel and the front end of the cylinder. This clearance should be between .002 in. and .006 in.

e. Rotational play in the cylinder (Smith & Wesson).

The slight rotational play in the cylinder which develops after considerable firing is caused by wear of the cylinder bolt, and wear or increase in width of the latching notches around the rear of the cylinder. Replacement of the cylinder bolt will reduce this play. The latching notches may be reshaped by lightly peening the contact side. This peening must be limited to replacement of the metal pushed out to the side.

f. Crane (Smith & Wesson). - Replacement of the crane is seldom necessary. Burrs which might interfere with the latching of the cylinders in the firing position should be removed from the edges of the crane and the frame by stoning. If a new crane is to be fitted, considerable stoning is usually necessary on the surface of the crane which fits against the frame, to line up the cylinder with the bore.



BARREL - C3838 BUSHING - B8596 STOCK - C64062 EXTRACTOR - B8598
 SECTION ON CENTER LINES OF BARREL, FIRING PIN, AND EXTRACTOR
 BUSHING - B19022 SCREW - B19023 STOCK - C64063
 FOLLOWER - B8608 SLIDE - D1827
 CATCH - B8609 SPRING - A13217 LOCK - A13218

SECTION B - B
 MAGAZINE LOCKED
 BY MAGAZINE CATCH

SIGHT - A13197
 SPRING - A13204 PIN - B8599
 HAMMER - C3839
 PIN - A13206
 SAFETY - D1828
 PIN - A13207
 SEAR - B8601
 PIN - A13211
 DISCONNECTOR - B8603
 SPRING - B8602
 STRUT - B8600
 CAP - A13209
 MAINSPRING - A13208
 RETAINER - A13213
 HOUSING - C3841
 BASE - B8606
 PIN - A13216
 LOOP - A13214



SECTION A - A
 BARREL BUSHING
 LOCK IN POSITION



RA PD 10229

FIGURE 8 — AUTOMATIC PISTOL, CAL. .45, M1911A1 - CROSS SECTION

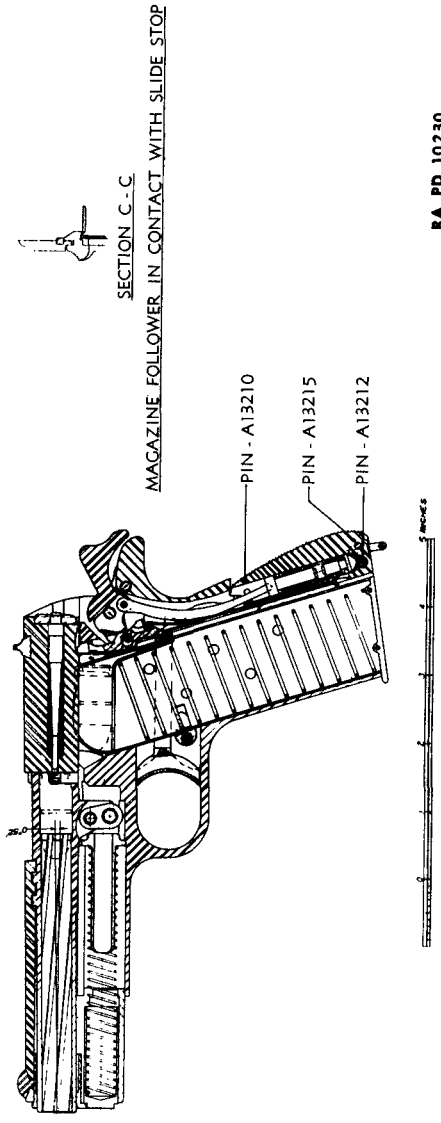
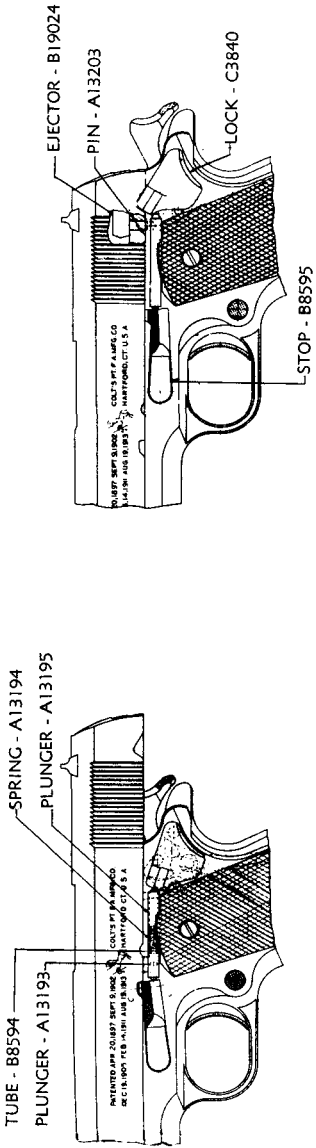
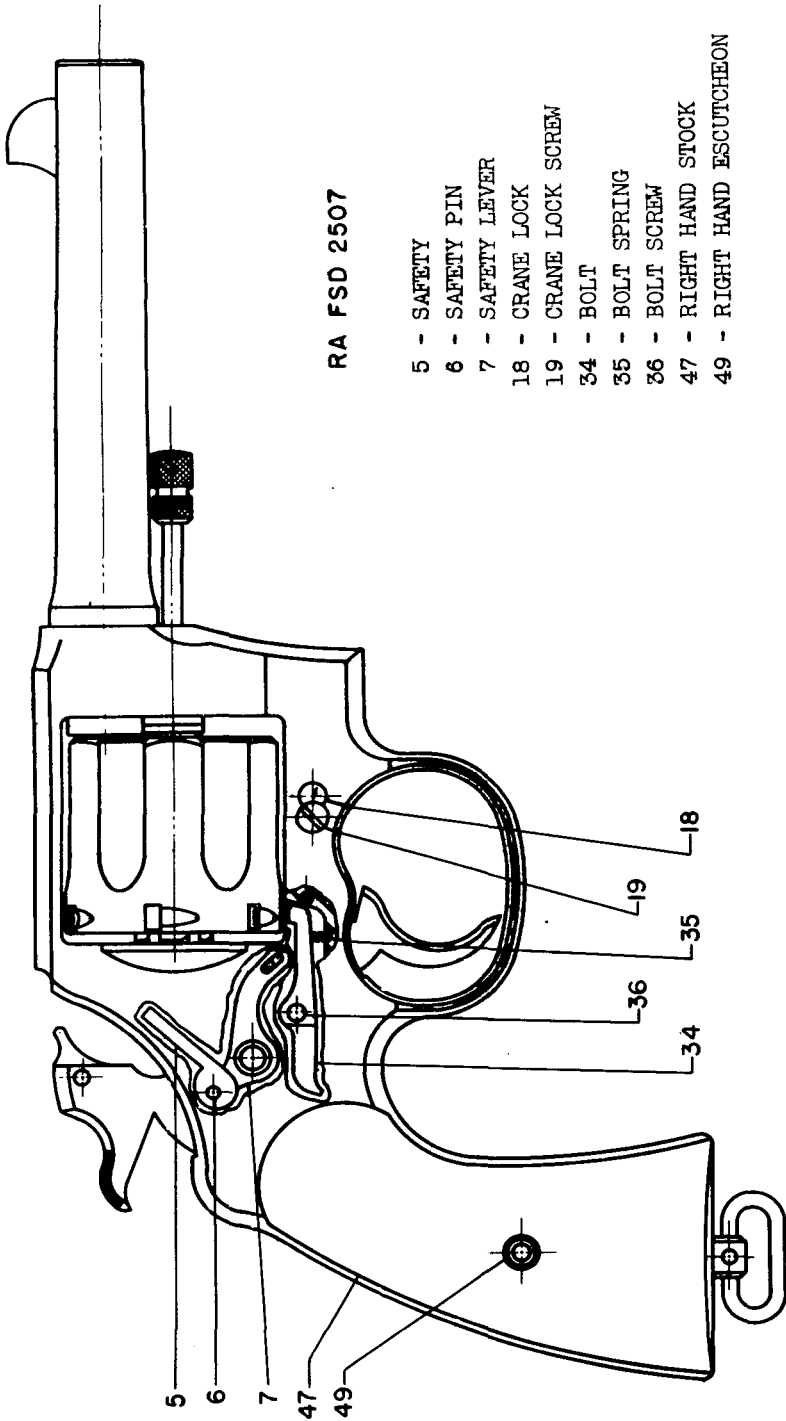


FIGURE 9 — AUTOMATIC PISTOL, CAL. .45, M1911A1 - CROSS SECTION

RA PD 10,230



RA FSD 2507

- 5 - SAFETY
- 6 - SAFETY PIN
- 7 - SAFETY LEVER
- 18 - CRANE LOCK
- 19 - CRANE LOCK SCREW
- 34 - BOLT
- 35 - BOLT SPRING
- 36 - BOLT SCREW
- 47 - RIGHT HAND STOCK
- 49 - RIGHT HAND ESCUTCHEON

FIGURE 10 — COLT, REVOLVER, CAL. .45, M1917 - RIGHT SIDE VIEW

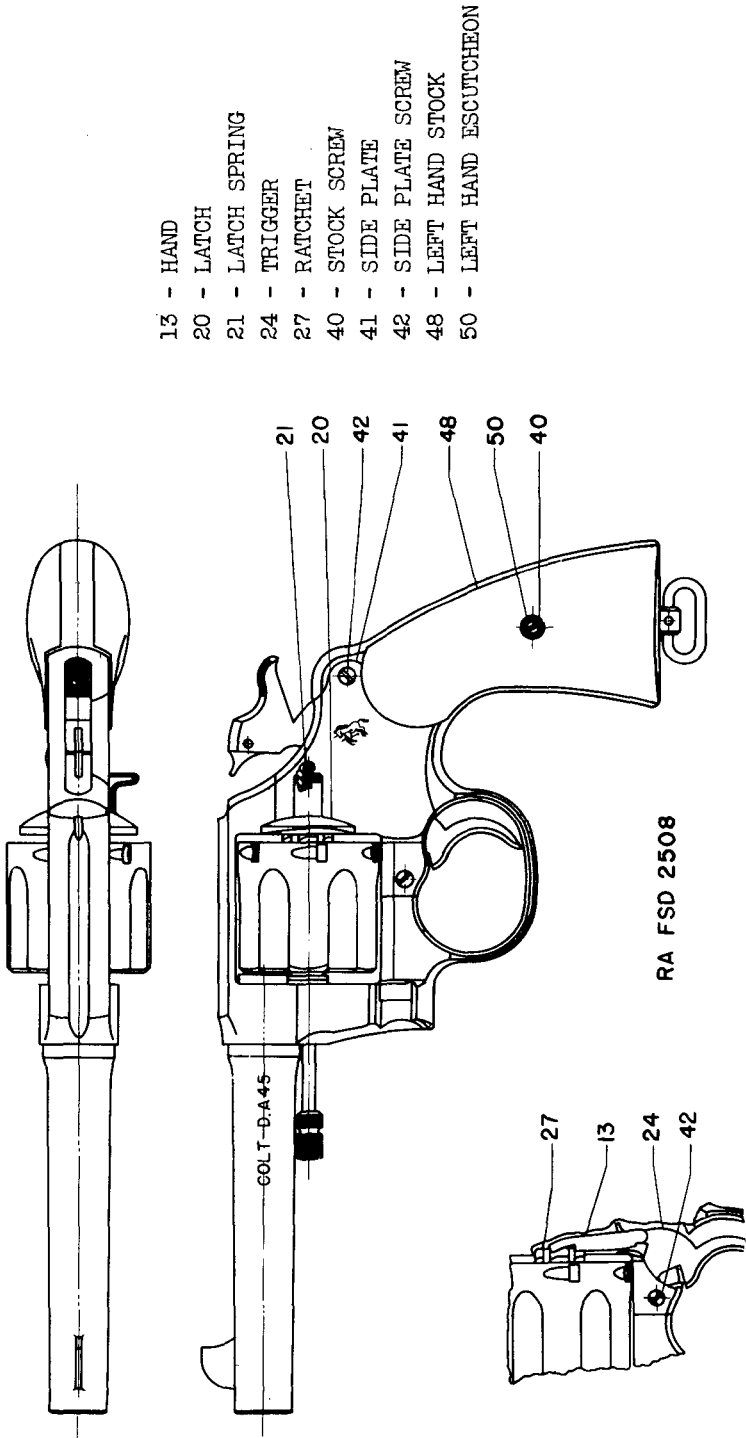


FIGURE 11 — COLT, REVOLVER, CAL. .45, M1917 - LEFT SIDE VIEW

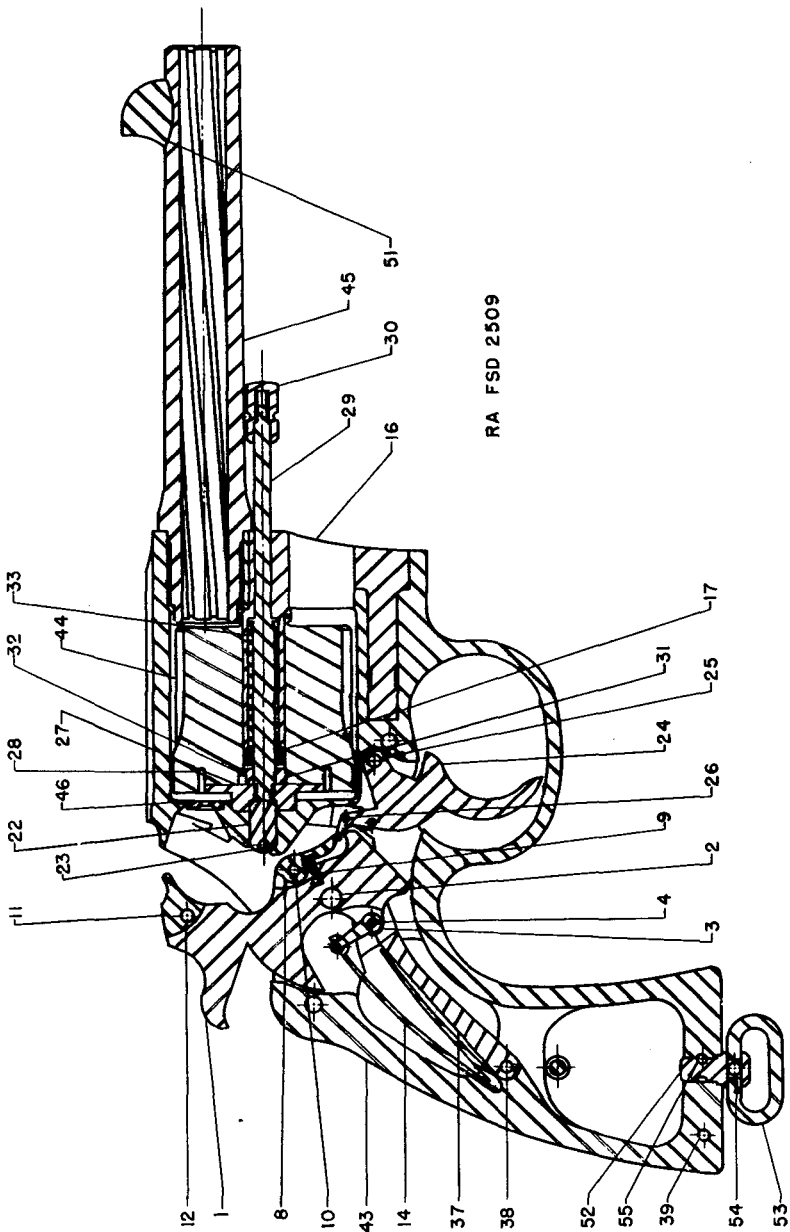


FIGURE 12 — COLT, REVOLVER, CAL. .45, M1917 - SECTIONAL VIEW

FIGURE 12

1 - HAMMER	14 - MAINSPRING	28 - RATCHET PIN	43 - FRAME
2 - HAMMER PIN	16 - CRANE	29 - EJECTOR ROD	44 - CYLINDER
3 - HAMMER STIRRUP	17 - CRANE BUSHING	30 - EJECTOR ROD HEAD	45 - BARREL
4 - HAMMER STIRRUP PIN	22 - LATCH PIN	31 - EJECTOR ROD GUIDE BUSHING	46 - RECOIL PLATE
8 - STRUT	23 - LATCH PIN STUD	32 - EJECTOR ROD GUIDE BUSHING	51 - FRONT SIGHT BLOCK
9 - STRUT SPRING	24 - TRIGGER	33 - EJECTOR SPRING	52 - SWIVEL STUD
10 - STRUT PIN	25 - TRIGGER PIN	37 - REBOUND LEVER	53 - SWIVEL RING
11 - FIRING PIN	26 - TRIGGER AND SAFETY PIN	38 - REBOUND LEVER PIN	54 - SWIVEL RIVET
12 - FIRING PIN RIVET	27 - RATCHET	39 - STOCK PIN	55 - STUD RIVET

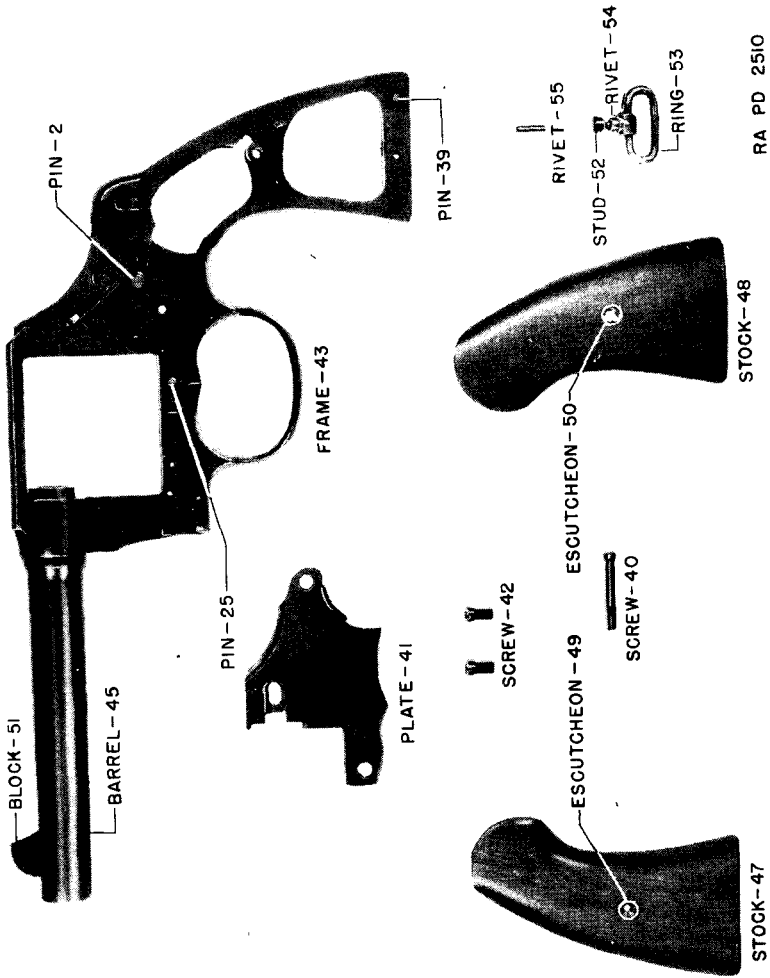
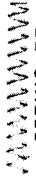


FIGURE 13 — COLT, REVOLVER, CAL. .45, M1917 - PARTS



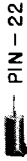
ROD - 29



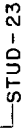
SPRING - 33



HEAD - 30



PIN - 22



STUD - 23

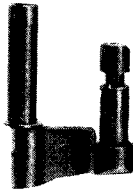


PIN - 28

CYLINDER - 44



RATCHET - 27



CRANE - 16



BUSHING - 17



SPRING - 21



LATCH - 20

RA PD 2511

FIGURE 14 — COLT, REVOLVER, CAL. .45, M1917 - PARTS

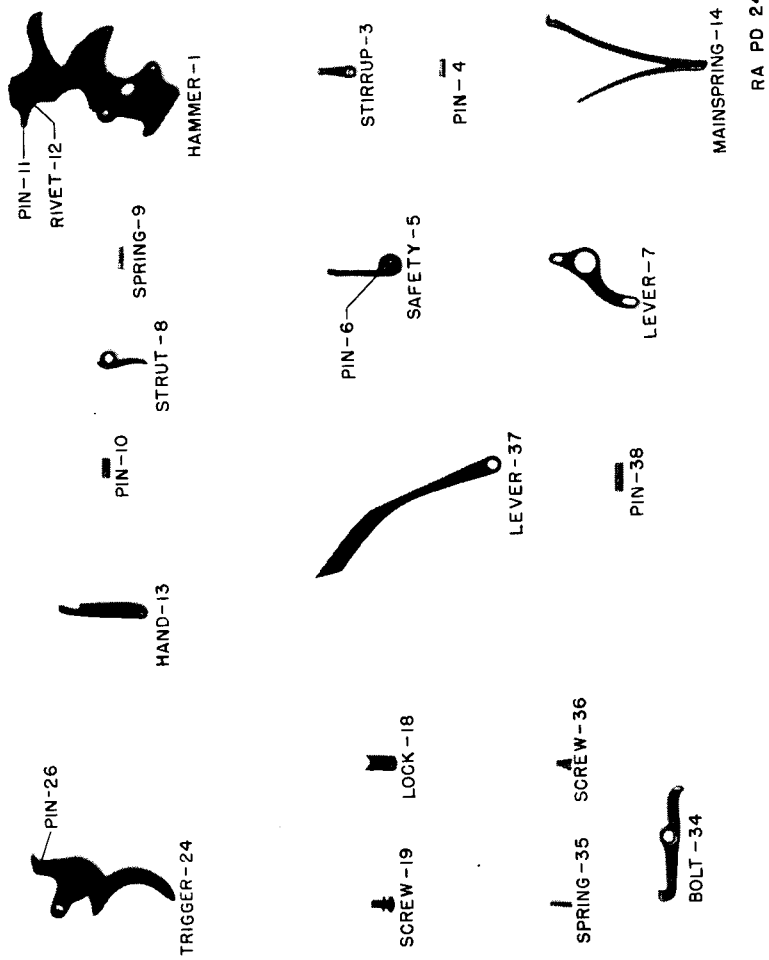
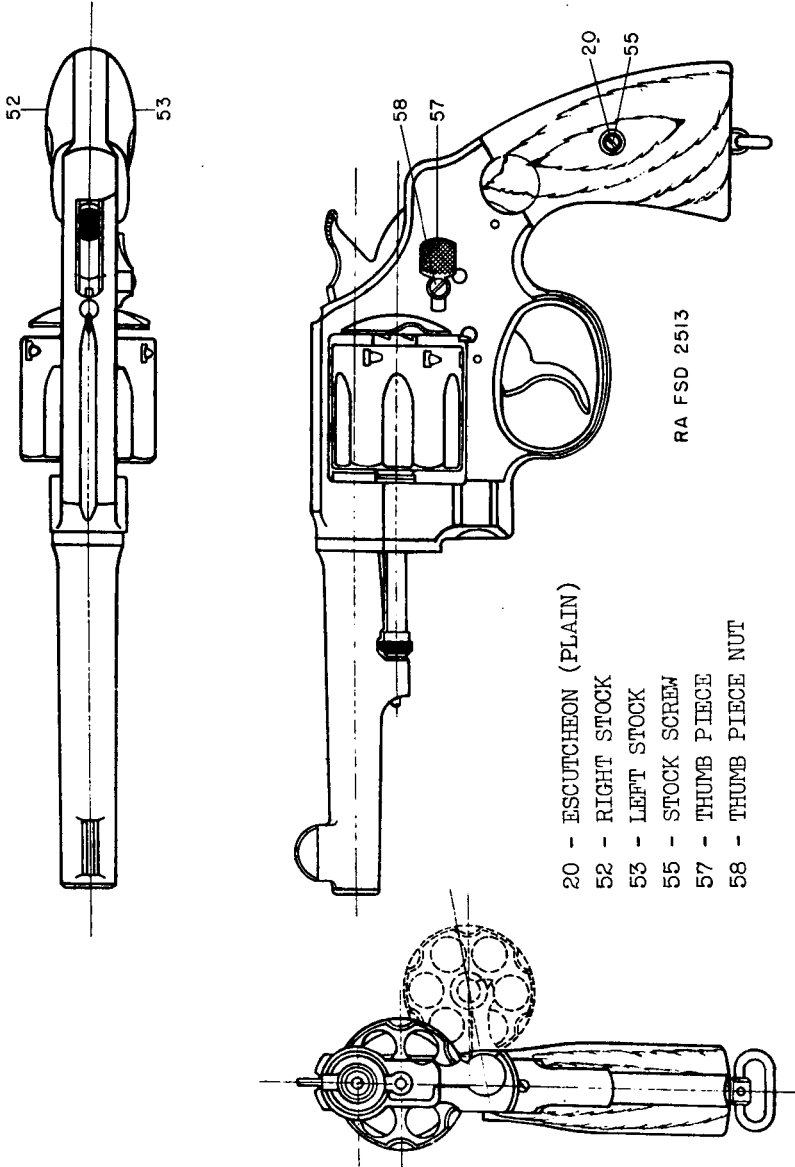


FIGURE 15 — COLT, REVOLVER, CAL. .45, M1917 - PARTS



- 20 - ESCUTCHEON (PLAIN)
- 52 - RIGHT STOCK
- 53 - LEFT STOCK
- 55 - STOCK SCREW
- 57 - THUMB PIECE
- 58 - THUMB PIECE NUT

FIGURE 16 — SMITH AND WESSON REVOLVER, CAL. .45, M1917 - RIGHT SIDE VIEW

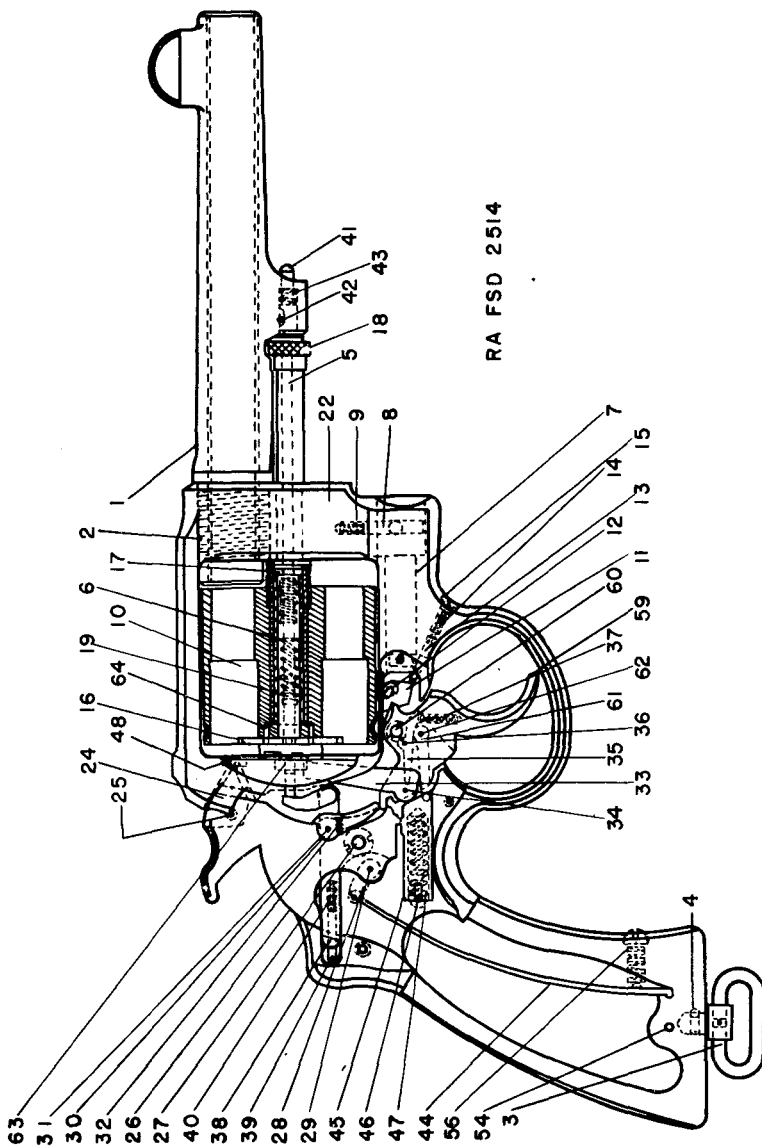


FIGURE 17 — SMITH AND WESSON REVOLVER, CAL. .45, M1917 - SECTIONAL VIEW

FIGURE 17

1 - BARREL	15 - CYLINDER BOLT PLUNGER SCREW	31 - HAMMER STRUT PIN	44 - MAINSPRING
2 - BARREL PIN	16 - EJECTOR	32 - HAMMER STRUT SPRING	45 - REBOUND SLIDE
3 - BUTT SWIVEL ASSEMBLY	17 - EJECTOR COLLAR	33 - HAND	46 - REBOUND SLIDE PIN
4 - BUTT SWIVEL PIN	18 - EJECTOR PLUNGER	34 - HAND PIN	47 - REBOUND SLIDE SPRING
5 - CENTER ROD	19 - EJECTOR SPRING	35 - HAND LEVER	48 - RECOIL PLATE
6 - CENTER ROD SPRING	22 - FRAME	36 - HAND LEVER PIN	54 - STOCK PIN
7 - CRANE	24 - FIRING PIN	37 - HAND LEVER SPRING	56 - STRAIN SCREW
8 - CRANE STOP PIN	25 - FIRING PIN RIVET	38 - LATCH	59 - TRIGGER
9 - CRANE STOP SPRING	26 - HAMMER	39 - LATCH PLUNGER	60 - TRIGGER PIN
10 - CYLINDER	27 - HAMMER PIN	40 - LATCH PLUNGER SPRING	61 - TRIGGER LEVER
11 - CYLINDER BOLT	28 - HAMMER STIRRUP	41 - LOCKING BOLT	62 - TRIGGER LEVER PIN
12 - CYLINDER BOLT PIN	29 - HAMMER STIRRUP PIN	42 - LOCKING BOLT PIN	63 - CENTER ROD BUSHING
13 - CYLINDER BOLT PLUNGER	30 - HAMMER STRUT	43 - LOCKING BOLT SPRING	64 - EJECTOR POSITIONING PIN
14 - CYLINDER BOLT PLUNGER SPRING			

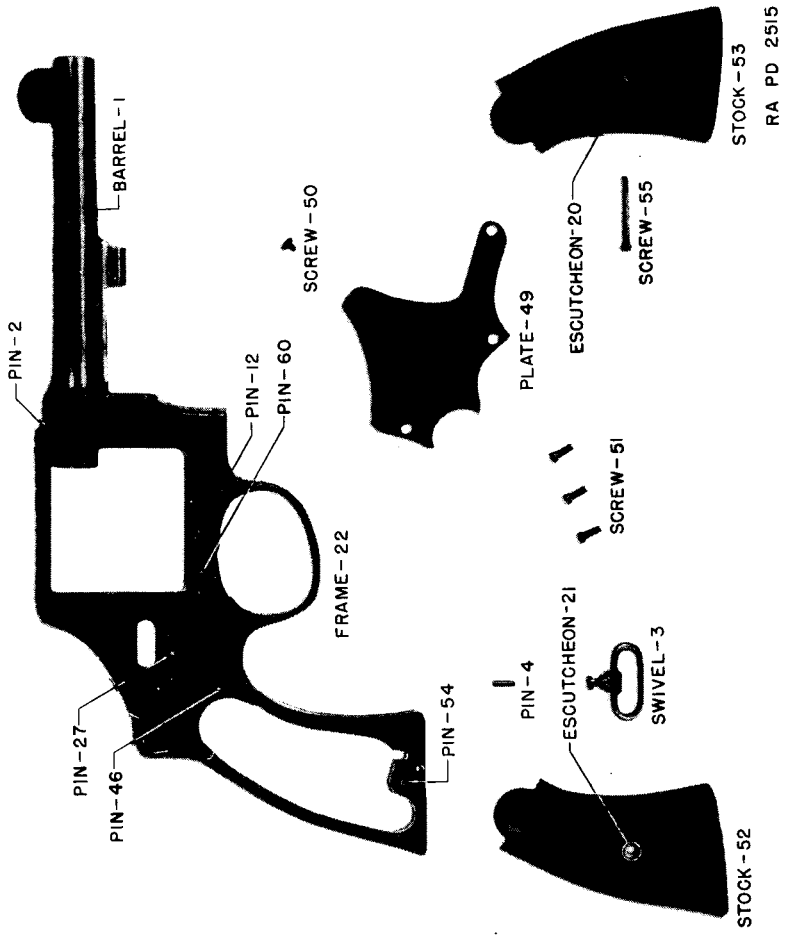


FIGURE 18 — SMITH AND WESSON REVOLVER, CAL. .45, M1917 - PARTS

SPRING-6



ROD-5

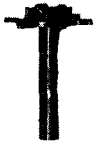


PLUNGER-18

PIN-64



CYLINDER-10



EJECTOR-16



BUSHING-63



CRANE-7



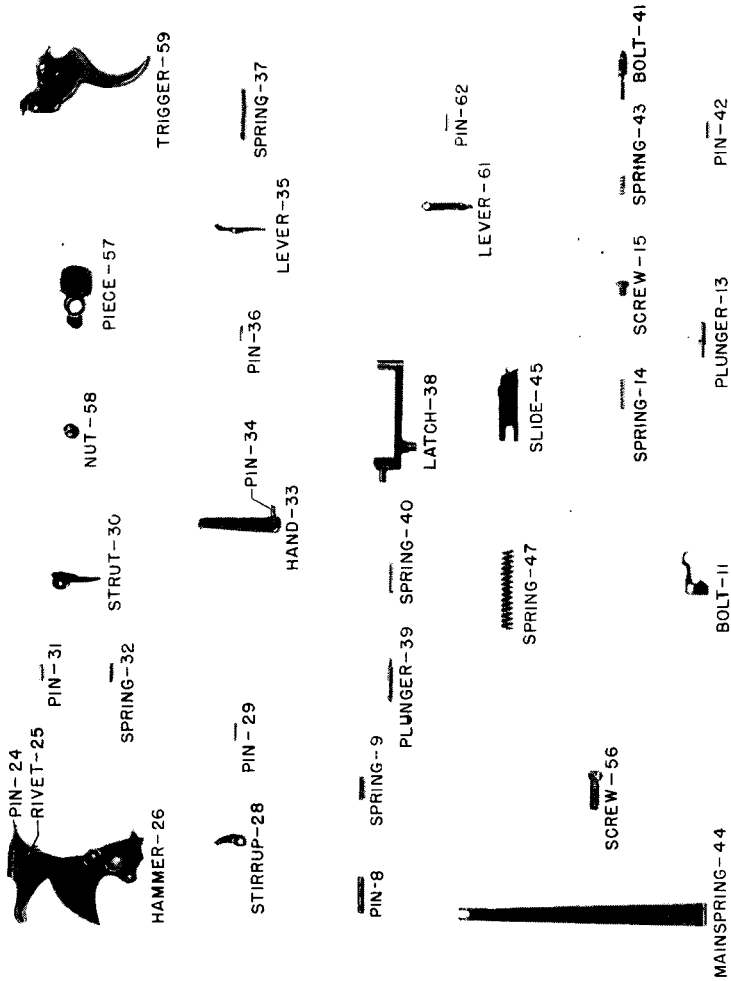
COLLAR-17



SPRING-19

RA PD 2495

FIGURE 19 — SMITH AND WESSON REVOLVER, CAL. .45, M1917 - PARTS



RA PD 2516

FIGURE 20 — SMITH AND WESSON REVOLVER, CAL. .45, M1917 - PARTS

PISTOLS AND REVOLVERS

9. LIST OF REFERENCES. - a. Standard Nomenclature Lists.

Pistol, automatic, cal..45, M1911 and M1911A1 ----- SNL B-6
 Revolver, Colt, cal..45, M1917; Revolver,
 Smith and Wesson, M1917 ----- SNL B-7
 Tools, special repair, small and hand arms, and
 pyrotechnic projectors ----- SNL B-20
 Truck, small arms, repair, M1 ----- SNL G-72
 Cleaning, preserving and lubricating materials,
 recoil fluids, special oils, and similar items
 of issue ----- SNL K-1
 Soldering, brazing and welding materials, gases
 and related items ----- SNL K-2
 Current Standard Nomenclature Lists are as tabulated
 here. An up-to-date list of SNL's is maintained as
 the "Ordnance Publications for Supply Index" ----- OPSI

b. Field Manuals. -

Automatic pistol, cal..45, M1911 and M1911A1 ----- FM 23-35
 Revolver, Colt, cal..45, M1917, and revolver,
 Smith and Wesson, cal..45, M1917 ----- FM 23-36

c. Technical Manuals. -

Cleaning and preserving materials ----- TM 9-850
 Materiel inspection and repair ----- TM 9-1100

(AG 062.11 TM 9-1295 (12-8-41)PC-c)

BY ORDER OF THE SECRETARY OF WAR:

G. C. MARSHALL,
 Chief of Staff.

OFFICIAL:

E. S. ADAMS,
 Major General,
 The Adjutant General.

DISTRIBUTION:

D(2); IBn 9(2); IC 9(4)