

**ORDNANCE SUPPLY CATALOG**

*Group A*

*List of All Parts*

*of*

**Cart, Hand, M3A4, M4A1,  
and M6A1**

*Supersedes ORD 9 SNL No. A-42, 14 January 1944 and Changes No. 1,  
12 June 1944.*

This is an alphabetical list of all parts required to make a complete *CART*. **WARNING: THIS LIST SHOULD NOT BE USED IN REQUISITIONING.** Many of the parts listed herein are *NOT* available for issue. Only the **Organizational Spare Parts and Equipment** section and the **Higher Echelon Spare Parts and Equipment (Addendum)** section list the parts and equipment available for issue to using troops and Ordnance troops, respectively.

This list of all parts is to be used for identification and storage purposes. In this connection it should be realized that every individual part is not necessarily stored by itself; in fact, many parts are stored as authorized assemblies. Such assemblies are indicated herein. The components, however, of such assemblies are listed elsewhere alphabetically with the number of each particular part required in a complete cart.

Standard Nomenclature Lists are published in three separate pamphlets—

(1) ORD 9 the *LIST OF ALL PARTS* section—This list will be used for **identification and storage purposes only**.

(2) ORD 7 the *ORGANIZATIONAL SPARE PARTS AND EQUIPMENT* section—which lists items issued to organizations issued this materiel.

(3) ORD 8 the *HIGHER ECHELON SPARE PARTS AND EQUIPMENT (ADDENDUM)* section—which lists major items, maintenance parts and equipment available for maintenance of this materiel. (This section is for use of Ordnance personnel only.)

*Headquarters Army Service Forces 1 June 1945*

# ORD 9 SNL A-42

The Note Symbol column is used to carry reference symbols to notes which are listed in this pamphlet under the heading "NOTES." Note Symbols may be of letter (a) (c), character (') (♦) or SNL number (A-1) (C-6) type. *Items symbolized by an SNL number are not necessarily so stored, reviewed and requisitioned.* The SNL number symbol indicates where further usage of the item may be found. Where numbers without an SNL prefix occur as the stock number, the SNL number in the Note Symbol column indicates the SNL where the item is stored, issued, requisitioned and reviewed.

For full information relative to the Ordnance Supply Catalog, the procedure followed and the principles employed in its compilation, together with the purposes and uses thereof, see the ORD 1 Introduction, ORD 2 Index and the (OPSR) Ordnance Provision System Regulations.

Headquarters, Army Service Forces,  
Washington 25, D. C., 1 June 1945.

Army Service Forces Ordnance Supply Catalog, ORD 9 SNL A-42, List of All Parts of Cart, Hand, M3A4, M4A1, and M6A1 has been prepared under the supervision of the Chief of Ordnance, and is published for the information and guidance of all concerned.

[SPX 461 (1 Jun 45)]

BY COMMAND OF GENERAL SOMERVELL:

I.E.R. LUTES  
*Major General, GSC*  
*Chief of Staff*

OFFICIAL:

J. A. ULIO  
*Major General*  
*The Adjutant General*

DISTRIBUTION: AAF (10); AGF (10); ASF (2); S Div ASF (1); Arm & Sv Bd (1); T of Opn (10); Tech Sv (2); SvC (10); PC&S (1) except Air Bases (0); PE, 9 (5); Dist O, 9 (5); Dist Br O, 9 (3); Reg O, 9 (3); Establishments, 9 (except Amm Establishments) (5); Decentralized Sub-O, 9 (3); Tk Deps, 9 (5); Gen & Sp Sv Schs (10); USMA (2); A (10); CHQ (10); D (2); R 9 (2); Bn 9 (2); C 9 (3).

For explanation of symbols, see FM 21-6.

## CONTENTS

	Drawings	Page
MAJOR ITEMS.....		3
GENERAL INFORMATION.....		3
PARTS OF CART, HAND, M3A4.....	1-100-60	5
PARTS OF CART, HAND, M4A1.....	1-100-70	9
PARTS OF CART, HAND, M6A1.....	1-100-90	17
NOTES.....		27
USE OF PRICES.....		27
ILLUSTRATIONS.....		28

**MAJOR ITEMS**

Note Symbol		Unit Price
ø W	CART, Hand, M3A4.....	}
ø W	CART, Hand, M4A1.....	
ø W	CART, Hand, M6A1.....	

See SNL A-1

**GENERAL INFORMATION**

1. The hand carts covered by this SNL are for the purposes indicated.
  - a. Model M3A4—general utility carts.
  - b. Model M4A1—for transportation of caliber .30 Machine Gun.
  - c. Model M6A1—for transportation of 81-mm Mortar.
  
2. Cart M3A4 is basic cart which can be converted into other models by bolting additional parts through the holes provided for this purpose.
  
3. The M3A4 utility hand carts are composed of the chassis and body.
  - a. The chassis is composed of an offset axle, tongue and drawbar assembly. The axle is an aluminum alloy tube assembled to each end of which are aluminum alloy brackets, riveted to the axle. Steel spindles, to which the wheels are mounted on antifriction (early manufacture) or plain (present manufacture) bearings, are assembled in the axle brackets and secured by nuts and cotter pins. The tongue is an aluminum alloy tube reinforced by a liner made of the same material. The spade lunette is riveted to one end and the "tongue and axle" bracket, which fastens the tongue to the axle and body, to the other end. To the front of the body the tongue is secured by a clamp. The drawbar assembly is composed of the aluminum alloy yoke to which are assembled handles secured by rivets. The yoke is machined to fit over the lunette and is secured by the drawbar retaining pin.
  - b. The body is a rectangular shaped welded steel box bolted to the chassis. It is composed of a frame, channels and reinforcing strips.
  
4. The M4A1 caliber .30 machine gun hand carts are converted from the M3A4 cart by the addition of three brackets to which the legs of the machine gun tripod mount, cal..30, M1917A1 are attached. The Browning Machine Gun, cal..30, M1917, which is used with this mount, can be used as an anti-aircraft gun or tripod mount removed from the cart and the gun used as a ground gun. Straps are provided to hold in place the ammunition chests.
  
5. The M6A1 81-mm Mortar Hand Carts are converted from M3A4 carts by addition of brackets and supports to secure 81-mm Mortar M1, and 81-mm Mortar Mount M1 during transit. The brackets and supports are equipped with quick release clamps to facilitate speedy unloading of the cart. Straps are also provided to hold in place ammunition chests.
  
6. The carts are drawn by manpower and in addition are equipped with a lunette for limbering to a motorized or animal-drawn prime mover. When drawn by manpower the drawbar is secured to the lunette with the drawbar retaining pin. When not in use the drawbar is carried on the drawbar bracket which is riveted to the front of the body. Provision is made for attaching tow ropes on the cart body when additional manpower is required to pull the load.

## ORD 9 SNL A-42

7. The carts are so designed that two loaded carts can be transported on trucks when placed between the seats provided for personnel.

8. Canvas covers are provided for each type of cart. The covers are attached by means of snap bolts (which engage the loops on the cart body) in addition to the tie rope which passes around the body of the cart and drawn tight when the cover is in place.

9. Maintenance.—Lubricate the wheels by applying wheel bearing grease (Specification AXS-422) by means of pressure gun through the fitting on the wheel hub. The wheels are packed in grease at assembly and it is only required to add a moderate amount of grease approximately every 500 miles of travel. The assembly is oil sealed and care must be taken not to force in too much of grease which may break the oil seal. After approximately 1000 miles of travel the bearings should be removed for examination and all parts of the hub assembly cleaned.

Notice of discrepancies or suggested changes should be directed to Office, Chief of Ordnance, Field Service, Maintenance Division, Military Publications Branch, SPOFM-Pub., Washington 25, D. C.

**PARTS OF CART, HAND, M3A4**

NOTE SYMBOL Col. 1	STOCK NO. Col. 2	FIGURE NO. Col. 3	PIECE MARK OR PART NO. Col. 4	DRAWING NO. Col. 5	NOMENCLATURE Col. 6	QUAN. PER CART Col. 7	UNIT PRICE Col. 8
(♦)	A042-01-00080 A042-01-00090	5 5	— —	B153876 C68101	AXLE, hand cart. AXLE, hand cart, assembly (Composed of: one B153876 AXLE one C67112 BRACKET one C67108 BRACKET two 109879 NUT two 103389 PIN two 121819 RIVET two B153877 SPINDLE two 103348 WASHER) BEARING, plain, inner, assembly (Composed of: one A238457 BUSHING one A238460 SLEEVE) BEARING, plain, outer, assembly (Composed of: one A238456 BUSHING one A238459 SLEEVE) BLOCK, filler, tongue BODY, hand cart tongue BOLT, b-hd., slotted, S, $\frac{5}{16}$ -24NF-3 x 1 (for BRACKET, C67108 (4); BRACKET, C67112 (4)) BOLT, b-hd., slotted, S, $\frac{5}{16}$ -24NF-3 x 1 $\frac{1}{8}$ (for BRACKET, C67108 (1); BRACKET, C67112 (1)) BOLT, b-hd., slotted, S, $\frac{5}{16}$ -24NF-3 x 1 $\frac{1}{4}$ (for BRACKET, C66291) BOLT, b-hd., slotted, S, $\frac{5}{16}$ -24NF-3 x 1 $\frac{3}{4}$ (for CLAMP, A159752) BRACKET, axle, left BRACKET, axle, right	1	
	A042-5238454	7	—	A238454			
	A042-5238455	7	—	A238455			
	A042-04-00120 A042-04-00550 A042-01-00160	5 5 5	— C64806A —	A159835 C64806 A159751		1 1	
	A042-01-00130	5	—	A159887		8	
	A042-01-00140	5	—	A159876		2	
	A042-01-00150	5	—	A159694		4	
	A042-02-00040 A042-02-00050	5 5	— —	C67112 C67108		2 1 1	

PARTS OF CART, HAND, M3A4 (Contd.)

NOTE SYMBOL Col. 1	STOCK NO. Col. 2	FIGURE NO. Col. 3	PIECE MARK OR PART NO. Col. 4	DRAWING NO. Col. 5	NOMENCLATURE Col. 6	QUAN. PER CART Col. 7	UNIT PRICE Col. 8
(♦)	A 042-01-00190	5	—	B154016	BRACKET, drawbar	1	
	A 042-04-00260	6	—	C66291	BRACKET, tongue and axle	1	
	A 042-5238457	7	—	A238457	BUSHING, inner bearing	2	
	A 042-5238456	7	—	A238456	BUSHING, outer bearing	2	
	A 042-01-00220	7	—	A164570	CAP, hub	2	
H-8	H 008-01-00080	5	SDBX2BC	SDBX2	CHAIN, assembly "B", 6 in. (Composed of: one SDBX1B CHAIN two 506880 HOOK)	1	
	H 008-02-24040	6	SDBX1B	SDBX1	CHAIN, weldless, double loop, style 1, S, 0.072 in. (6 links)	1	
		5	—	B224876	CHANNEL, body, center, S	1	
		5	—	B224877	CHANNEL, body, front, S	1	
		5	—	B224878	CHANNEL, body, intermediate, front, S	1	
		5	—	B224879	CHANNEL, body, intermediate, rear, S	1	
		5	—	B224880	CHANNEL, body, rear, S	1	
	A 042-01-00290	5	—	A159752	CLAMP, tongue	1	
	A 042-04-00320	5	—	B156956	DRAWBAR, hand cart, assembly (Composed of: one SDBX2BC CHAIN, assembly one B156955 DRAWBAR, w/o PIN, assembly one A169135 PIN, assembly)	1	
	A 042-01-00330	5	—	B156955	DRAWBAR, hand cart, w/o PIN, assembly (Composed of: two A159665 HANDLE one A159668 RIVET three 108682 RIVET one B150881 YOKE)	1	
H-2	H 002-02-23010	7	CLDX5A	CLDX5	FITTING, lubricating, hydraulic type, stght., 1/8-27NPT, male, short	2	
		5	—	D54581	FRAME, body	1	
	A 042-01-00350	7	—	A164571	GASKET, hub cap	2	

H-2	A042-04-00360	6	—	A159665	HANDLE, hand cart drawbar	2
	H002-01-03740	6	506880	SCAX1	HOOK, "S", steel, 0.134 x 1 1/16 reach	2
	A042-03-00300	5	—	A238516	LOOP, towing	4
	A042-04-00390	6	—	C64765	LUNETTE, hand cart tongue	1
	A042-04-00380	7	—	A164427	NUT, adjusting, wheel bearing	2
				A169964	NUT, adjusting, wheel bearing, assembly (Composed of: one A164427 NUT one A169649 PIN)	1
	A042-7107330		7107330	F7107330	NUT, adjusting, wheel bearing w/WASHER and RETAINER, assembly (Composed of: one A169964 NUT, assembly one A164077 RETAINER one A164431 WASHER)	2
H-1	A042-01-00380	7	—	A164425	NUT, axle	2
H-1	H001-07-13006	5	109879	BBFX2	NUT, castle, S, 1-13/16-2 (for SPINDLE, B153877)	2
H-1	H001-07-25852	5	503379	BBWX1	NUT, safety, S, 5/16-24NF-3	16
	H001-08-11056		103389	BFAX1	PIN, cotter, split, S, 7/8 x 2 (for SPINDLE, B153877)	2
	A042-04-00470		—	A159664	PIN, locking, drawbar retaining pin	1
	A042-04-00480		—	A159647	PIN, retaining, drawbar	1
	A042-01-00390	5	—	A169135	PIN, retaining, hand cart drawbar, assembly (Composed of: one A159664 PIN one A159647 PIN one A164800 RING two 104051 RIVET one A159666 SPRING)	1
	A042-01-04142		—	A169649	PIN, wheel bearing adjusting nut	2
	A042-01-00440		—	A169144	PLATE, name	1
	A042-04-00550		C64806B	C64806	REINFORCE, hand cart tongue	1
	A042-5238458	7	—	A238458	RETAINER, felt washer, inner	2
	A042-01-00510	7	—	A164077	RETAINER, felt washer, outer	2
	A042-04-00580		—	A164800	RING, drawbar retaining pin	1
	A042-04-00600	6	—	A159668	RIVET, eye, hand cart drawbar	1
H-1			104051	BMCX1	RIVET, S, b-hd., 1/8 x 1/4 (for PIN, assembly, A169135)	2
H-1			104082	BMCX1	RIVET, S, b-hd., 1/4 x 3/8 (for drawbar BRACKET, B154016)	2
H-1			108682	BMCX2	RIVET, S, b-hd., 1/4 x 1 1/8 (for DRAWBAR, assembly, B156955 (3); TONGUE, assembly, C68001 (2))	2
						5

PARTS OF CART, HAND, M3A4 (Contd.)

NOTE SYMBOL Col. 1	STOCK NO. Col. 2	FIGURE NO. Col. 3	PIECE MARK PART NO. Col. 4	DRAWING NO. Col. 5	NOMENCLATURE Col. 6	QUAN. PER CART Col. 7	UNIT PRICE Col. 8
(*)					(UTILITY CART) (Contd.)		
H-1		6	134667	BMCX2	RIVET, S, b-hd., 1/4 x 2 3/8 (for TONGUE, assembly, C68001)	1	
H-1		6	113491	BMCX2	RIVET, S, b-hd., 1/4 x 2 3/8 (for TONGUE, assembly, C68001)	1	
H-1			121819	BMCX2	RIVET, S, b-hd., 3/16 x 2 3/8 (for AXLE, assembly, C68101)	2	
H-1			104171	BMCX1	RIVET, S, ck-hd., 1/4 x 1 1/4 (for filler BLOCK, A159835)	2	
H-1			107157	BMCX1	RIVET, S, truss-hd., 3/16 x 1/2 (for name PLATE)	2	
H-1	H001-10-13031	6	216971	BCNX1	SCREW, cap, hex-hd., S, 3/8-16NC-2 x 3/8	2	
H-1	H001-10-30103	7	110500	BCNX2	SCREW, mach., rd-hd., S, No. 10 (0.190)-24NC-2 x 1/2 (for CAP, A164570)	6	
	A 042-5238460	7	—	A238460	SLEEVE, inner bearing	2	
	A 042-5238459	7	—	A238459	SLEEVE, outer bearing	2	
	A 042-01-00520	5	—	B153877	SPINDLE, axle	2	
	A 042-04-00640	6	—	A159666	SPRING, drawbar retaining pin	1	
	A 042-04-00700	5	—	A164067	STRAP, tongue bracket	1	
		6	—	A238517	STRIP, reinforcing, body, cross	1	
		5	—	A238518	STRIP, reinforcing, body, side	2	
	M009-01-07600	7	A165533A	A165533	TIRE, pneumatic, 2 ply, 4.00-12	2	
	A 042-01-00730	6	—	C64808	TONGUE, hand cart, assembly (Composed of: one C64806A BODY one C64806B REINFORCE) TONGUE, hand cart, w/BRACKET, assembly	2	
	A 042-01-00540	5	—	C68001	(Composed of: one C66291 BRACKET one C64765 LUNETTE two 108682 RIVET one 134667 RIVET one 113491 RIVET two 216971 SCREW one A164067 STRAP one C64808 TONGUE, assembly two 106497 WASHER)		



M-9	M009-01-07680	7	A165533B	A165533	TUBE, inner, 4.00-12.	2		
	A042-5238461	7	—	A238461	WASHER, felt, inner bearing.	2		
H-1	A042-04-00750	7	—	A164431	WASHER, felt, outer bearing.	2		
H-1	H001-15-19011	6	106497	BEAX1	WASHER, lock, internal teeth, reg., S., $\frac{3}{8}$ in.	2		
	H001-15-18005	6	155549	BECX1	WASHER, lock, reg., S., No. 10 (0.190)	2		
H-1	A042-04-00760	7	—	A164078	WASHER, lock, wheel bearing adjusting nut.	6		
H-1	H001-15-30008	5	103340	BEBX1	WASHER, plain, S., SAE std., $\frac{3}{16}$ in.	14		
H-1	H001-15-30017	5	103348	BEBX1	WASHER, plain, S., SAE std., 1 in.	2		
			—	C94552	WHEEL, hand cart, group assembly (Composed of: one A164570 CAP one CLDX5A FITTING one A164571 GASKET one B7107330 NUT, w/WASHER and RETAINER, assembly one A164425 NUT one A238458 RETAINER three I10500 SCREW one A165533A TIRE one A165533B TUBE one A238461 WASHER three I55549 WASHER one A164078 WASHER one C94551 WHEEL, w/BEARINGS, assembly) one D54183 WHEEL, hand cart, S., 12 in. diam. one C94551 WHEEL, hand cart, w/BEARINGS, assembly (Composed of: one A238454 BEARING, assembly one A238455 BEARING, assembly one D54183 WHEEL) one B150881 YOKE, hand cart drawbar.			2
	A042-01-00551	7	—	D54183				
	A042-5594551	—	—	C94551				
	A042-01-00560	6	—	B150881		1		

**PARTS OF CART, HAND, M4A1**

	A042-01-00080	5	—	B153876	(CAL..30 MACHINE GUN CART) AXLE, hand cart.	1
--	---------------	---	---	---------	--	---

PARTS OF CART, HAND, M4A1 (Contd.)

NOTE SYMBOL Col. 1	STOCK NO. Col. 2	FIGURE NO. Col. 3	PIECE MARK OR PART NO. Col. 4	DRAWING NO. Col. 5	NOMENCLATURE Col. 6	QUAN. PER CART Col. 7	UNIT PRICE Col. 8
(*)	A042-01-00090	5	—	C68101	(CAL...30 MACHINE GUN CART) (Contd.) AXLE, hand cart, assembly (Composed of: one B153876 AXLE one C67112 BRACKET one C67108 BRACKET two 109879 NUT two 103389 PIN two 121819 RIVET two B153877 SPINDLE two 103348 WASHER) BEARING, plain, inner, assembly (Composed of: one A238457 BUSHING one A238460 SLEEVE) BEARING, plain, outer, assembly (Composed of: one A238456 BUSHING one A238459 SLEEVE) BILLET, leather, 1/4 x 22 in. BLOCK, filler, tongue BODY, chape, long BODY, chape, short BODY, hand cart tongue BOLT, bracket clamping handle BOLT, b-hd., slotted, S, 5/16-24NF-3 x 7/8 (for FASTENER, A159995) BOLT, b-hd., slotted, S, 5/16-24NF-3 x 1 (for BRACKET, assembly, C66617 (1); BRACKET, assembly, C66618 (1); BRACKET, assembly, C66619 (1); BRACKET, C67108 (4); BRACKET, C67112 (4))	2 1 1 1 1 3 8	
	A042-5238454	7	—	A238454			
	A042-5238455	7	—	A238455			
	A042-02-00010	3	—	B154336			
	A042-04-00120	5	A154337A A154338A C64806A	A159835 A154337 A154338 C64806 A161761 A160464			
	A042-04-00650		—	A161761			
	A042-02-00030	3	—	A160464			
	A042-02-00020		—	A159751			
	A042-01-00160	5	—	A159751			

A042-01-00130	5	—	A159887	BOLT, b-hd., slotted, S., $\frac{5}{16}$ -24NF-3 x 1 $\frac{1}{8}$ (for BRACKET, assembly, C66617 (2); BRACKET, assembly, C66618 (2); BRACKET, assembly, C66619 (2); BRACKET, C67108 (1); BRACKET, C67112 (1))	8
A042-01-00140	5	—	A159876	BOLT, b-hd., slotted, S., $\frac{5}{16}$ -24NF-3 x 1 $\frac{1}{4}$ (for BRACKET, C66291)	4
A042-01-00150	5	—	A159694	BOLT, b-hd., slotted, S., $\frac{5}{16}$ -24NF-3 x 1 $\frac{3}{4}$ (for CLAMP, A159752)	2
A042-01-00040	5	—	C67112	BRACKET, axle, left	1
A042-01-00050	5	—	C67108	BRACKET, axle, right	1
A042-01-00190	5	—	B154016	BRACKET, drawbar	1
A042-04-00260	6	—	C66291	BRACKET, tongue and axle	1
A042-02-00060	3	—	C64795	BRACKET, tripod, front, left	1
A042-02-00090	3	—	C66619	BRACKET, tripod, front, left, assembly (Composed of: one A161761 BOLT one C64795 BRACKET one A159776 CLAMP one A161763 HANDLE two A159808 PAD two A159781 PIN one 505478 PIN two 135004 RIVET, tubular, br., fl-hd., $\frac{5}{64}$ x $\frac{1}{2}$ four — one A19265 WASHER)	1
A042-02-00070	3	—	C64794	BRACKET, tripod, front, right	1
A042-02-00100	3	—	C66618	BRACKET, tripod, front, right, assembly (Composed of: one A161761 BOLT one C64794 BRACKET one A159776 CLAMP one A161763 HANDLE two A159808 PAD two A159781 PIN one 505478 PIN two 135004 RIVET, tubular, br., fl-hd., $\frac{5}{64}$ x $\frac{1}{2}$ four — one A19265 WASHER)	1
A042-02-00080	—	—	C64793	BRACKET, tripod, rear	1

PARTS OF CART, HAND, M4A1 (Contd.)

NOTE SYMBOL Col. 1	STOCK NO. Col. 2	FIGURE NO. Col. 3	PIECE MARK OR PART NO. Col. 4	DRAWING NO. Col. 5	NOMENCLATURE Col. 6	QUAN. PER CART Col. 7	UNIT PRICE Col. 8
(♦)	A042-02-00110	3	—	C66617	(CAL..30 MACHINE GUN CART) (Contd.) BRACKET, tripod, rear, assembly (Composed of: one A161761 BOLT one C64793 BRACKET one A159776 CLAMP one A161763 HANDLE two A159808 PAD two A159781 PIN one 505478 PIN two 135004 RIVET four — RIVET, tubular, br., fl-hd., $\frac{3}{4}$ x $\frac{1}{2}$ one A19265 WASHER)	2 2 2 2	
H-2	H002-01-00680 A042-5238457 A042-5238456 A042-01-00220 H008-01-00080	7 7 7 5	543421 — — — SDBX2BC	SPAX1 A238457 A238456 A164570 SDBX2	BUCKLE, bbl-roll, $1\frac{1}{4}$ in. BUSHING, inner bearing BUSHING, outer bearing CAP, hub CHAIN, assembly "B," 6 in. (Composed of: one SDBX1B CHAIN two 506880 HOOK)	2 2 2 2	
H-8	H008-02-24040	6 5	SDBX1B — — — — —	SDBX1 B224876 B224877 B224878 B224879 B224880 B154337	CHAIN, weldless, double loop, style 1, S, 0.072 in. (6 links) CHANNEL, body, center, S CHANNEL, body, front, S CHANNEL, body, intermediate, front S CHANNEL, body, intermediate, rear, S CHAPE, long, assembly (Composed of: one B154337A BODY one 543421 BUCKLE one QBBX1E KEEPER)	1 1 1 1 1 1	
H-8	A042-02-00120	3	—	—			

A042-02-00130	3	—	B154338	one QBBX1B KEEPER) CHAPE, short, assembly (Composed of: one B154338A BODY one 543421 BUCKLE one QBBX1E KEEPER one QBBX1B KEEPER)	1
A042-01-00290 A042-02-00140 A042-04-00320	5	—	A159752 A159776 B156956	CLAMP, tongue. CLAMP, tripod bracket. DRAWBAR, hand cart, assembly (Composed of: one SDBX2BC CHAIN, assembly one B156955 DRAWBAR, w/o PIN, assembly one A169135 PIN, assembly)	3
A042-01-00330	5	—	B156955	DRAWBAR, hand cart, w/o PIN, assembly (Composed of: two A159665 HANDLE one A159668 RIVET three 108682 RIVET one B150881 YOKE)	
A042-02-00160 H002-02-23010	3 7	— CLDX5A	A159995 CLDX5	FASTENER, strap. FITTING, lubricating, hydraulic type, stght., 1/8"-27NPT, male, short	4
A042-01-00350 A042-02-00170 A042-04-00360	5 7 6	— — —	D54581 A164571 A161763 A159665	FRAME, body GASKET, hub cap HANDLE, clamping, tripod bracket. HANDLE, hand cart drawbar	2 1 2
H002-01-03740 H003-01-00445 H003-01-00470	6 6 5	506880 QBBX1E QBBX1B	SCAX1 QBBX1 QBBX1 A238516	HOOK, "S," steel, 0.134 x 1 1/16 reach. KEEPER, fixed, for 1 1/4 in. strap. KEEPER, loose, for 1 1/4 in. strap. LOOP, towing	2 2 2 4
A042-03-00300 A042-04-00390 A042-04-00380	6 7	— — —	C64765 A164427 A169964	LUNETTE, hand cart tongue. NUT, adjusting, wheel bearing. NUT, adjusting, wheel bearing, assembly (Composed of: one A164427 NUT one A169649 PIN)	1 2 2

PARTS OF CART, HAND, M4A1 (Contd.)

NOTE SYMBOL Col. 1	STOCK NO. Col. 2	FIGURE NO. Col. 3	PIECE MARK OR PART NO. Col. 4	DRAWING NO. Col. 5	NOMENCLATURE Col. 6	QUAN. PER CART Col. 7	UNIT PRICE Col. 8
(*)	A 042-7107330		7107330	B7107330	(CAL..30 MACHINE GUN CART) (Contd.) NUT, adjusting, wheel bearing, w/WASHER and RETAINER, assembly (Composed of: one A169964 NUT, assembly one A164077 RETAINER one A164431 WASHER)		
H-1	A 042-01-00380	7	—	A164425	NUT, axle.....	2	
H-1	H 001-07-13006	5	109679	BFX2	NUT, castle, S, 1-14NF-2 (for SPINDLE, B153877).....	2	
H-1	H 001-07-25852	5	503379	BBWX1	NUT, safety, S, 3/16-24NF-3 (for 3/16 bolts).....	33	
H-1	A 042-02-00180		—	A159808	PAD, tripod bracket.....	6	
	H 001-08-11056		103389	BFAX1	PIN, cotter, split, S, 1/8 x 2 (for SPINDLE, B153877).....	2	
	A 042-04-00470		—	A159664	PIN, locking, drawbar retaining pin.....	1	
	A 042-02-00190		—	A159781	PIN, hinge, tripod bracket.....	6	
	A 042-04-00480		—	A159647	PIN, retaining, drawbar.....	1	
	A 042-01-00390	5	—	A169135	PIN, retaining, hand cart drawbar, assembly (Composed of: one A159664 PIN one A159647 PIN one A164800 RING two 104051 RIVET one A159666 SPRING)		
H-1	H 001-08-29348		505478	BFDX1	PIN, sight, drill rod, 0.09375 x 3/4.....	3	
	A 042-01-04142		—	A169649	PIN, wheel bearing adjusting nut.....	2	
	A 042-01-00220		—	A169145	PLATE, name.....	1	
	A 042-04-00550		C64806B	C64806	REINFORCE, hand cart tongue.....	1	
	A 042-5238458	7	—	A238458	RETAINER, felt washer, inner.....	2	
	A 042-01-00510	7	—	A164077	RETAINER, felt washer, outer.....	2	
	A 042-04-00580		—	A164800	RING, drawbar retaining pin.....	1	
	A 042-04-00600	6	104051	A159668	RIVET, eye, hand cart drawbar.....	1	
H-1			104082	BMCX1	RIVET, S, b-hd., 1/8 x 1/4 (for PIN, assembly, A169135).....	2	
H-1				BMCX1	RIVET, S, b-hd., 1/4 x 5/8 (for drawbar BRACKET, B154016).....	3	

H-1		6	108682	BMCX2	RIVET, S., b-hd., 1/4 x 1 1/8 (for DRAWBAR, assembly, B156955 (3)); TONGUE, assembly, C68001 (2) . . . . .	5
H-1		6	134667	BMCX2	RIVET, S., b-hd., 1/4 x 2 3/8 (for TONGUE, assembly, C68001) . . . . .	1
H-1		6	113491	BMCX2	RIVET, S., b-hd., 1/4 x 2 5/8 (for TONGUE, assembly, C68001) . . . . .	1
H-1			121819	BMCX2	RIVET, S., b-hd., 5/16 x 2 3/8 (for AXLE, assembly, C68101) . . . . .	2
H-1			135004	BMCX1	RIVET, S., ck-hd., 3/32 x 3/4 (for tripod BRACKETS) . . . . .	6
H-1			104171	BMCX2	RIVET, S., ck-hd., 1/4 x 1 1/4 (for filler BLOCK, A159835) . . . . .	2
H-1			107157	BMCX1	RIVET, S., truss-hd., 3/16 x 1/2 (for name PLATE) . . . . .	2
H-1	H001-10-13031	6	216971	BMGX1	RIVET, tubular, br, fl-hd., 9/64 x 1/2 (for bracket PADS) . . . . .	12
H-1	H001-10-30103	7	110500	BCAX1	SCREW, cap, hex-hd., S, 3/16NC-2 x 7/8 . . . . .	2
H-1				BCNX2	SCREW, mach, rd hd., S, No. 10 (0.190)-24NC-2 x 1/2 (for CAP, A164570) . . . . .	6
	A042-5238460	7	—	A238460	SLEEVE, inner bearing . . . . .	2
	A042-5238459	7	—	A238459	SLEEVE, outer bearing . . . . .	2
	A042-01-00520	5	—	B153877	SPINDLE, axle . . . . .	2
	A042-01-00640	6	—	A159666	SPRING, drawbar retaining pin . . . . .	1
	A042-04-00700	6	—	A164067	STRAP, tongue bracket . . . . .	1
		5	—	A238517	STRIP, reinforcing, body, cross . . . . .	2
		5	—	A238518	STRIP, reinforcing, body, side . . . . .	2
M-9	M009-01-07600	7	A165533A	A165533	TIRE, pneumatic, 2 ply, 4.00-12 . . . . .	2
	A042-04-00730	6	—	C64808	TONGUE, hand cart, assembly (Composed of: one C64806A BODY one C64806B REINFORCE) TONGUE, hand cart, w/BRACKET, assembly (Composed of: one C66291 BRACKET one C64765 LUNETTE two 108682 RIVET one 134667 RIVET one 113491 RIVET two 216971 SCREW one A164067 STRAP one C64808 TONGUE, assembly two 106497 WASHER)	2
	A042-01-00540	5	—	C68001	TUBE, inner, 4.00-12 . . . . .	2
					WASHER, clamping handle bolt (for tripod BRACKET) . . . . .	3
M-9	M009-01-07680	7	A165533B	A165533	WASHER, felt, inner bearing . . . . .	3
	A030-01-00660	7	—	A19265	WASHER, felt, outer bearing . . . . .	2
	A042-5238461	7	—	A238461	WASHER, felt, outer bearing . . . . .	2
	A042-04-00750	7	—	A164431		2

PARTS OF CART, HAND, M4A1 (Contd.)

NOTE SYMBOL Col. 1	STOCK NO. Col. 2	FIGURE NO. Col. 3	PIECE MARK OR PART NO. Col. 4	DRAWING NO. Col. 5	NOMENCLATURE Col. 8	QUAN. PER CART Col. 7	UNIT PRICE Col. 8
(♦)					(CAL..30 MACHINE GUN CART) (Contd.)		
H-1	H001-15-19011	6	106497	BEAX1	WASHER, lock, internal teeth, reg., S, $\frac{3}{8}$ in.	2	
H-1	H001-15-18005	7	155549	BECX1	WASHER, lock, reg., S, No. 10 (0.190)	6	
	A 042-04-00760		—	A164078	WASHER, lock, wheel bearing adjusting nut.	2	
H-1	H001-15-30008	5	103340	BEBX1	WASHER, plain, S, SAE std., $\frac{5}{16}$ in.	14	
H-1	H001-15-30017	5	103348	BEBX1	WASHER, plain, S, SAE std., 1 in.	2	
	A 042-01-00551	7	—	D54183	WHEEL, hand cart, S, 12 in. diam.	2	
			—	C94552	WHEEL, hand cart, group assembly		
					(Composed of:		
					one A164570 CAP		
					one CLDX5A FITTING		
					one A164571 GASKET		
					one B7107330 NUT, w/WASHER and RETAINER, assembly		
					one A164425 NUT		
					one A238458 RETAINER		
					three 110500 SCREW		
					one A165533A TIRE		
					one A165533B TUBE		
					one A238461 WASHER		
					three 155549 WASHER		
					one A164078 WASHER		
					one C94551 WHEEL, w/BEARINGS, assembly)		
	A 042-5594551		—	C94551	WHEEL, hand cart, w/BEARINGS, assembly		
					(Composed of:		
					one A238454 BEARING, assembly		
					one A238455 BEARING, assembly		
					one D54183 WHEEL)		
	A 042-01-00560	6	—	B150881	YOKE, hand cart drawbar	1	



**PARTS OF CART, HAND, M6A1**

		(81-MM MORTAR CART)		
A042-04-00020	B154002	—	ANGLE, ammunition front bracket, top.....	1
A042-04-00010	B154001	—	ANGLE, ammunition front bracket, vertical, long.....	2
A042-04-00030	A164293	—	ANGLE, ammunition front bracket, vertical, short.....	1
A042-04-00060	A164341	—	ANGLE, ammunition rear bracket, top.....	1
A042-04-00040	B154019	—	ANGLE, ammunition rear bracket, vertical, long.....	3
A042-04-00050	B154020	—	ANGLE, ammunition rear bracket, vertical, short.....	1
A042-04-00005	A175706	—	ANGLE, bipod leg left bracket.....	1
A042-04-00006	A175707	—	ANGLE, bipod leg right bracket.....	1
A042-01-00080	B153876	5	AXLE, hand cart.....	1
A042-01-00090	C68101	5	AXLE, hand cart, assembly.....	1
			(Composed of:	
			one B153876 AXLE	
			one C67112 BRACKET	
			one C67108 BRACKET	
			two 109879 NUT	
			two 103389 PIN	
			two 121819 RIVET	
			two B153877 SPINDLE	
			two 103348 WASHER)	
A042-04-00070	A164292	—	BAR, ammunition front bracket.....	1
A042-04-00090	A164340	—	BAR, ammunition rear bracket.....	1
A042-5238454	A238454	7	BEARING, plain, inner, assembly.....	
			(Composed of:	
			one A238457 BUSHING	
			one A238460 SLEEVE)	
A042-5238455	A238455	7	BEARING, plain, outer, assembly.....	
			(Composed of:	
			one A238456 BUSHING	
			one A238459 SLEEVE)	
A042-04-00110	B154146	4	BILLET, bipod rear bracket, assembly.....	
			(Composed of:	
			one A154146A BODY	
			one A169146 FASTENER)	
A042-04-00100	B151065	4	BILLET, leather, 1/4 x 40 in.....	2

PARTS OF CART, HAND, M6A1 (Contd.)

NOTE SYMBOL Col. 1	STOCK NO. Col. 2	FIGURE NO. Col. 3	PIECE MARK OR PART NO. Col. 4	DRAWING NO. Col. 5	NOMENCLATURE Col. 6	QUAN. PER CART Col. 7	UNIT PRICE Col. 8	
(*)	A042-04-00120	5	—	A159835	(81-MM MORTAR CART) (Contd.)	1		
	A042-04-00130		B154146A	B154146		BLOCK, filler, tongue.	1	
	A042-04-00140		B150928A	B150928		BODY, bipod rear bracket billet.	1	
	A042-04-00150		B151027A	B151027		BODY, bipod rear bracket chape.	1	
	A042-04-00550		C64806A	C64806		BODY, chape.	2	
	A042-88-00020		—	A175705		BODY, hand cart tongue.	1	
	A042-88-00015	4	—	A170092		BOLT, bipod front bracket.	2	
	A042-02-00020	4	—	A160464		BOLT, b-hd., slotted, S, $\frac{5}{16}$ -24NF-3 x $\frac{3}{4}$ (for BRACKET, assembly, C66430 (2)); BRACKET, assembly, C66435 (3)).	5	
	A042-01-00160	5	—	A159751		BOLT, b-hd., slotted, S, $\frac{5}{16}$ -24NF-3 x $\frac{7}{8}$ (for FASTENER, A159995 (8)); BRACKET, assembly, C66430 (2); BRACKET, assembly, C66620 (1); BRACKET, assembly, C66435 (3))	14	
	A042-01-00130	5	—	A159887		BOLT, b-hd., slotted, S, $\frac{5}{16}$ -24NF-3 x 1 (for BRACKET, C67108 (4)); BRACKET, C67112 (4)).	8	
	A042-01-00140	5	—	A159876		BOLT, b-hd., slotted, S, $\frac{5}{16}$ -24NF-3 x $1\frac{1}{8}$ (for BRACKET, assembly, C66621 (3)); BRACKET, assembly, C66620 (2); BRACKET, C67108 (1); BRACKET, C67112 (1)).	7	
	A042-03-00050	4	—	A159766		BOLT, b-hd., slotted, S, $\frac{5}{16}$ -24NF-3 x $1\frac{1}{4}$ (for BRACKET, C66291).	4	
	A042-01-00150	5	—	A159694		BOLT, b-hd., slotted, S, $\frac{5}{16}$ -24NF-3 x $1\frac{1}{2}$ (for BRACKET, assembly, C66621 (1)); BRACKET, assembly, C66622 (3); BRACKET, assembly, C66623 (3)).	7	
	A042-04-00160	4	—	C66430		BOLT, b-hd., slotted, S, $\frac{5}{16}$ -24NF-3 x $1\frac{3}{4}$ (for CLAMP, A159752).	2	
					BRACKET, ammunition, front, welded assembly (Composed of: one B154002 ANGLE two B154001 ANGLE one A164293 ANGLE one A164292 BAR)			

A042-04-00170	4	—	C66435	BRACKET, ammunition, rear, welded assembly (Composed of: one A164341 ANGLE three B154019 ANGLE one B154020 ANGLE one A164340 BAR) BRACKET, axle, left BRACKET, axle, right BRACKET, bipod, front, assembly (Composed of: two A175705 BOLT one B167383 BRACKET, welded assembly one B167384 BRACKET, welded assembly two 503379 NUT two A159719 NUT one A164358 PAD one A164359 PAD one A159717 PAD one A164360 PAD two 103372 PIN two A159847 PIN two 104100 RIVET eight — RIVET, tubular, br., fl-hd., $\frac{3}{64}$ x $\frac{1}{2}$ two A159718 SCREW one A159716 STRAP one A159714 STRAP one C73664 SUPPORT, assembly two 103340 WASHER) BRACKET, bipod leg, left, welded assembly (Composed of: one A175706 ANGLE one A159713 STRAP) BRACKET, bipod leg, right, welded assembly (Composed of: one A175707 ANGLE one A159715 STRAP) BRACKET, bipod, rear	1 1
A042-01-00040 A042-01-00050 A042-88-00065	5 5 4	— — —	C67112 C67108 C73821		
A042-04-00155		—	B167383		
A042-04-00156		—	B167384		
A042-04-00200		—	B150920	1	

PARTS OF CART, HAND, M6A1 (Contd.)

NOTE SYMBOL Col. 1	STOCK NO. Col. 2	FIGURE NO. Col. 3	PIECE MARK OR PART NO. Col. 4	DRAWING NO. Col. 5	NOMENCLATURE Col. 6	QUAN. PER CART Col. 7	UNIT PRICE Col. 8
(♦)	A042-04-00230	4	—	C66620	(81-MM MORTAR CART) (Contd.) BRACKET, bipod, rear, assembly (Composed of: one B154146 BILLET, assembly one B150920 BRACKET one B150928 CHAPE, assembly two 503376 NUT one A159725 PAD two — RIVET, tubular, br., fl-hd., $\frac{3}{4}$ x $\frac{1}{2}$ two 103339 WASHER) BRACKET, clamping, barrel, front. BRACKET, clamping, barrel, front, assembly (Composed of: one B150919 BRACKET one B156964 CLAMP, assembly one A159710 PAD one 103372 PIN one A159848 PIN one — RIVET, tubular, br., fl-hd., $\frac{3}{4}$ x $\frac{1}{2}$ two — RIVET, tubular, br., fl-hd., $\frac{3}{4}$ x $\frac{5}{8}$ ) BRACKET, clamping, barrel, rear. BRACKET, clamping, barrel, rear, assembly (Composed of: one B154052 BRACKET one B156964 CLAMP, assembly one A159710 PAD one 103372 PIN one A159848 PIN one — RIVET, tubular, br., fl-hd., $\frac{3}{4}$ x $\frac{1}{2}$ two — RIVET, tubular, br., fl-hd., $\frac{3}{4}$ x $\frac{5}{8}$ ) BRACKET, drawbar. BRACKET, tongue and axle.	1	
	A042-04-00180 A042-04-00240	4	—	B150919 C66623			
	A042-04-00250	4	—	B154052 C66622		1	
	A042-01-00190 A042-04-00260	5 6	— —	B154016 C66291		1 1	



PARTS OF CART, HAND, M6A1 (Contd.)

NOTE SYMBOL Col. 1	STOCK NO. Col. 2	FIGURE NO. Col. 3	PIECE MARK PART NO. Col. 4	DRAWING NO. Col. 5	NOMENCLATURE Col. 6	QUAN. PER CART Col. 7	UNIT PRICE Col. 8
(*)	A042-04-00320		—	B156956	(81-MM MORTAR CART) (Contd.) DRAWBAR, hand cart, assembly (Composed of: one SDBX2BC CHAIN one B156955 DRAWBAR, w/o PIN, assembly one A169135 PIN, assembly)		
	A042-01-00330	5	—	B156955	DRAWBAR, hand cart, w/o PIN, assembly (Composed of: two A159665 HANDLE one A159668 RIVET three 108682 RIVET one B150881 YOKE)		
	A042-04-00330		—	A159761	EYEBOLT, clamping fastener.....	2	
	A042-04-00340		—	A159758	FASTENER, clamping.....	2	
	A042-04-00350		—	A169146	FASTENER, clamping, assembly (for BILLET, assembly, B154146 (1); CHAPE, assembly, B150928 (1))		
H-2	A042-02-00160	4	—	A159995	EYEBOLT	4	
	H002-02-23010	7	CLDX5A	CLDX5	FASTENER, strap.....		
					FITTING, lubricating, hydraulic type, stght., 1/8-27NPT, male, short.....	2	
		5	—	D54581	FRAME, body.....	1	
	A042-01-00350	7	—	A164571	GASKET, hub cap.....	2	
	A042-04-00360	6	—	A159665	HANDLE, hand cart drawbar.....	2	
H-2	H002-01-03740	6	506880	SCAX1	HOOK, "S", steel, 0.134 x 1 1/16 reach.....	2	
H-3	H003-01-00440		QBBX1D	QBBX1	KEEPER, fixed, for 1 in. strap.....	1	
H-3	H003-01-00445		QBBX1E	QBBX1	KEEPER, fixed, for 1 1/4 in. strap.....	2	
H-3	H003-01-00470		QBBX1B	QBBX1	KEEPER, loose, for 1 1/4 in. strap.....	2	
	A042-03-00260	5	—	A159712	LOOP, clamping, barrel clamp.....	2	
		6	—	A238516	LOOP, towing.....	4	
	A042-03-00300		—	C64765	LUNETTE, hand cart tongue.....	1	

A042-04-00390	—	A164427	NUT, adjusting, wheel bearing.	2
A042-04-00380	—	A169964	NUT, adjusting, wheel bearing, assembly (Composed of: one A164427 NUT one A169649 PIN)	2
A042-7107330	7107330	B7107330	NUT, adjusting, wheel bearing, w/WASHER and RETAINER, assembly (Composed of: one A169964 NUT, assembly one A164077 RETAINER one A164431 WASHER)	2
A042-01-00380	—	A164425	NUT, axle.	2
H001-07-13006	109879	BBFX2	NUT, castle, S, 1-14NF-2 (for SPINDLE, B153877)	2
H001-07-25851	503376	BBWX1	NUT, safety, S, 1/4-28NF-3 (for FASTENER, assembly, A169146)	2
H001-07-25852	503379	BBWX1	NUT, safety, S, 5/16-24NF-3	49
A042-04-00400	—	A159719	NUT, wing, clamping screw.	2
A042-04-00460	—	A159710	PAD, barrel bracket.	4
A042-04-00420	—	A164358	PAD, bipod front bracket, left strap.	1
A042-04-00430	—	A164359	PAD, bipod front bracket, right strap.	1
A042-04-00410	—	A159717	PAD, bipod left front bracket.	1
A042-04-00450	—	A159725	PAD, bipod rear bracket.	1
A042-04-00440	—	A164360	PAD, bipod right front bracket.	1
H001-08-11056	103389	BFAX1	PIN, cotter, split, S, 1/8 x 2 (for SPINDLE, B153877)	2
H001-08-11037	103372	BFAX1	PIN, cotter, split, S, 5/32 x 1/2 (for PIN, A159847 (2); PIN, A159848 (2))	2
A042-04-00470	—	A159664	PIN, locking, drawbar retaining pin.	4
A042-04-00480	—	A159647	PIN, retaining, drawbar.	1
A042-01-00390	—	A169135	PIN, retaining, hand cart drawbar, assembly (Composed of: one A159664 PIN one A159647 PIN one A164800 RING two 104051 RIVET one A159666 SPRING)	1
A042-04-00490	—	A159847	PIN, rod end, 5/16 x 1 3/16 (for bipod front BRACKET, assembly)	2
A042-04-00500	—	A159848	PIN, rod end, 5/16 x 1 3/16 (for barrel clamping BRACKET, assembly)	2
H001-08-29872	505517	BFDX1	PIN, stght., drill rod, 0.1875 x 1 1/2	2

PARTS OF CART, HAND, M6A1 (Contd.)

NOTE SYMBOL Col. 1	STOCK NO. Col. 2	FIGURE NO. Col. 3	PIECE MARK OR PART NO. Col. 4	DRAWING NO. Col. 5	NOMENCLATURE Col. 6	QUAN. PER CART Col. 7	UNIT PRICE Col. 8
(*)	A042-01-04142			A169649	(81-MM MORTAR CART (Contd.))	2	
H-1	A042-04-00530			A169810	PIN, wheel bearing adjusting nut	1	
H-1	A042-01-00560			A164387	PLATE, name	2	
H-1	A042-04-00550		C64806B	C64806	REINFORCE, bipod front bracket support	1	
H-1	A042-5238458	7		A238458	REINFORCE, hand cart tongue	2	
H-1	A042-01-00510	7		A164077	RETAINER, felt washer, inner	2	
H-1	A042-04-00580			A164800	RETAINER, felt washer, outer	1	
H-1	A042-04-00600	6		A159668	RING, drawbar retaining pin	1	
H-1			104051	BMCX1	RIVET, eye, hand cart drawbar	1	
H-1			104082	BMCX1	RIVET, S, b-hd., $\frac{1}{8}$ x $\frac{1}{4}$ (for PIN, assembly, A169135)	2	
H-1			108682	BMCX2	RIVET, S, b-hd., $\frac{1}{4}$ x $\frac{5}{8}$ (for drawbar BRACKET, B154016)	2	
H-1			134667	BMCX2	RIVET, S, b-hd., $\frac{1}{4}$ x $2\frac{3}{8}$ (for DRAWBAR, assembly, B156955 (3); TONGUE, assembly, C68001 (2))	5	
H-1			113491	BMCX1	RIVET, S, b-hd., $\frac{1}{4}$ x $2\frac{3}{8}$ (for TONGUE, assembly, C68001)	1	
H-1			104100	BMCX1	RIVET, S, b-hd., $\frac{5}{16}$ x $1\frac{1}{8}$ (for TONGUE, assembly, C68001)	1	
H-1			121819	BMCX2	RIVET, S, b-hd., $\frac{5}{16}$ x $1\frac{1}{8}$ (for clamping SCREW, A159718)	2	
H-1			104171	BMCX1	RIVET, S, b-hd., $\frac{5}{16}$ x $2\frac{3}{8}$ (for AXLE, assembly, C68101)	2	
H-1			107157	BMCX1	RIVET, S, ck-hd., $\frac{1}{4}$ x $1\frac{1}{4}$ (for filler BLOCK, A159835)	2	
H-1				BMCX1	RIVET, S, truss-hd., $\frac{3}{16}$ x $\frac{1}{2}$ (for name PLATE)	2	
H-1				BMCX1	RIVET, tubular, br., fl-hd., $\frac{9}{64}$ x $\frac{3}{8}$ (for clamp PADS)	6	
H-1				BMCX1	RIVET, tubular, br., fl-hd., $\frac{9}{64}$ x $\frac{1}{2}$ (for bracket PADS)	12	
H-1	H001-10-13031			BCAX1	RIVET, tubular, br., fl-hd., $\frac{9}{64}$ x $\frac{5}{8}$	4	
H-1	A042-04-00610	6	216971	A159718	SCREW, cap, hex-hd., S, $\frac{3}{8}$ -16NC-2 x $\frac{7}{8}$	2	
H-1	H001-10-30101	7	110500	BCNX2	SCREW, clamping (for bipod front BRACKET, assembly)	2	
H-1	A042-5238460	7		A238460	SCREW, mach, rd-hd., S, No. 10 (0.190)-24NC-2 x $\frac{1}{2}$	6	
H-1	A042-5238459	7		A238459	(for CAP, A164570)	2	
H-1	A042-01-00520	5		B153877	SLEEVE, inner bearing	2	
H-1	A042-04-00640			A159666	SLEEVE, outer bearing	2	
H-1	A042-04-00690			A159713	SPINDLE, axle	2	
H-1	A042-04-00670			A159715	SPRING, drawbar retaining pin	1	
H-1					STRAP, clamping (for BRACKET, B167383)	1	
H-1					STRAP, clamping (for BRACKET, B167384)	1	



A042-04-00650	—	A159709	STRAP, clamping (for CLAMP, assembly, B156964)	2
A042-04-00660	—	A159716	STRAP, clamping, left (for bipod front BRACKET, assembly)	1
A042-04-00680	—	A159714	STRAP, clamping, right (for bipod front BRACKET, assembly)	1
A042-04-00700	6	A164067	STRAP, tongue bracket	1
A042-04-00705	5	A238517	STRIP, reinforcing, body, cross	2
A042-04-00703	5	A238518	STRIP, reinforcing, body, side	2
	—	B167385	SUPPORT, bipod front bracket	2
	—	C73664	SUPPORT, bipod front bracket, assembly	2
	—		(Composed of:	
	—		two A164387 REINFORCE	
	—		two B167385 SUPPORT)	
M009-01-07600	7	A165533	TIRE, pneumatic, 2 ply, 4.00-12	2
A042-04-00730	6	C64808	TONGUE, hand cart, assembly	
	—		(Composed of:	
	—		one C64806A BODY	
	—		one C64806B REINFORCE)	
A042-01-00540	5	C68001	TONGUE, hand cart, w/BRACKET, assembly	
	—		(Composed of:	
	—		one C66291 BRACKET	
	—		one C64765 LUNETTE	
	—		two 108682 RIVET	
	—		one 104667 RIVET	
	—		one 113491 RIVET	
	—		two 216971 SCREW	
	—		one A164067 STRAP	
	—		one C64808 TONGUE, assembly	
	—		two 106497 WASHER)	
M009-01-07680	7	A165533B	TUBE, inner, 4.00-12	2
A042-5238461	7	A238461	WASHER, felt, inner bearing	2
A042-04-00750	7	A164431	WASHER, felt, outer bearing	2
H001-15-19011	6	BEAX1	WASHER, lock, internal teeth, reg. S, $\frac{3}{8}$ in.	2
H001-15-18005	6	BECX1	WASHER, lock, reg. S, No. 10 (0.190)	6
A042-04-00760	7	A164078	WASHER, lock, wheel bearing adjusting nut	2
H001-15-30007	7	BEBX1	WASHER, plain, S, SAE std., $\frac{1}{4}$ in. (for FASTENER, assembly, A169146)	2
H001-15-30008	5	BEBX1	WASHER, plain, S, SAE std., $\frac{5}{16}$ in.	29
H001-15-30017	5	BEBX1	WASHER, plain, S, SAE std., 1 in.	2
A042-01-00551	7	D54183	WHEEL, hand cart, S, 12 in. diam.	2

PARTS OF CART, HAND, M6A1 (Contd.)

NOTE SYMBOL Col. 1	STOCK NO. Col. 2	FIGURE NO. Col. 3	PIECE MARK OR PART NO. Col. 4	DRAWING NO. Col. 5	N O M E N C L A T U R E Col. 6	QUAN. PER CART Col. 7	UNIT PRICE Col. 8
(4)			—	C94552	<p>(81-MM MORTAR CART) (Contd.)</p> <p>WHEEL, hand cart, group assembly (Composed of: one A164570 CAP one CLDX5A FITTING one A164571 GASKET one B7107330 NUT, w/WASHER and RETAINER, assembly one A164425 NUT one A238458 RETAINER three 110500 SCREW one A165533A TIRE one A165333B TUBE one A238461 WASHER three 155549 WASHER one A164078 WASHER one C94551 WHEEL, w/BEARINGS, assembly) WHEEL, hand cart, w/BEARINGS, assembly (Composed of: one A238454 BEARING, assembly one A238455 BEARING, assembly one D54183 WHEEL) YOKE, hand cart drawbar.....</p>	1	
	A042-5594551		—	C94551			
	A042-01-00560	6	—	B150881			

## NOTES

- (♦) Items listed in this SNL will be stored under SNL No. A-42 unless the note symbol indicates otherwise, but Zone of Interior Depots will review and report these items under the assigned SNL code prefix or stock class.
- ∅ The major items indicated by (∅) are stored, issued, and reviewed under "Major Items," SNL A-1.
- W (1) Items marked by (W) are non-expendable.  
(2) Items not marked by (W) are expendable.

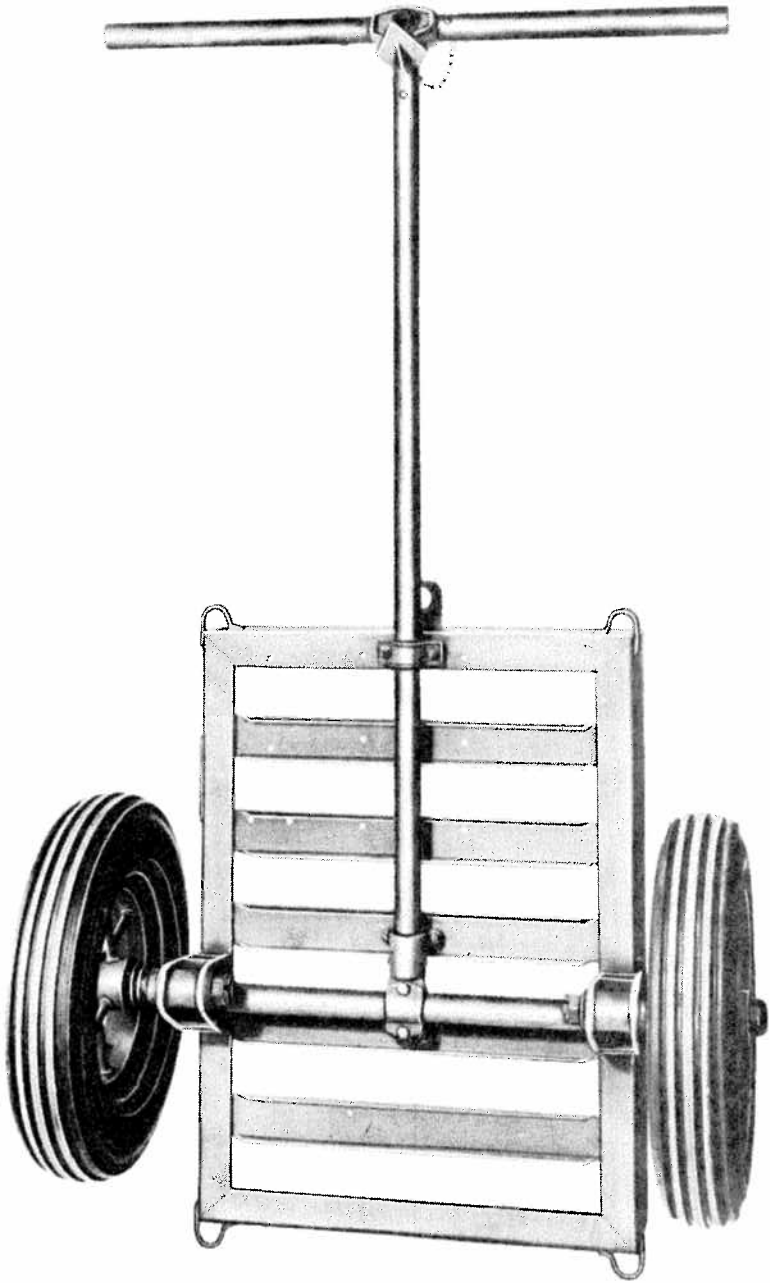
## USE OF PRICES

(See AR 45-75)

(O.O. 140.2/15811)

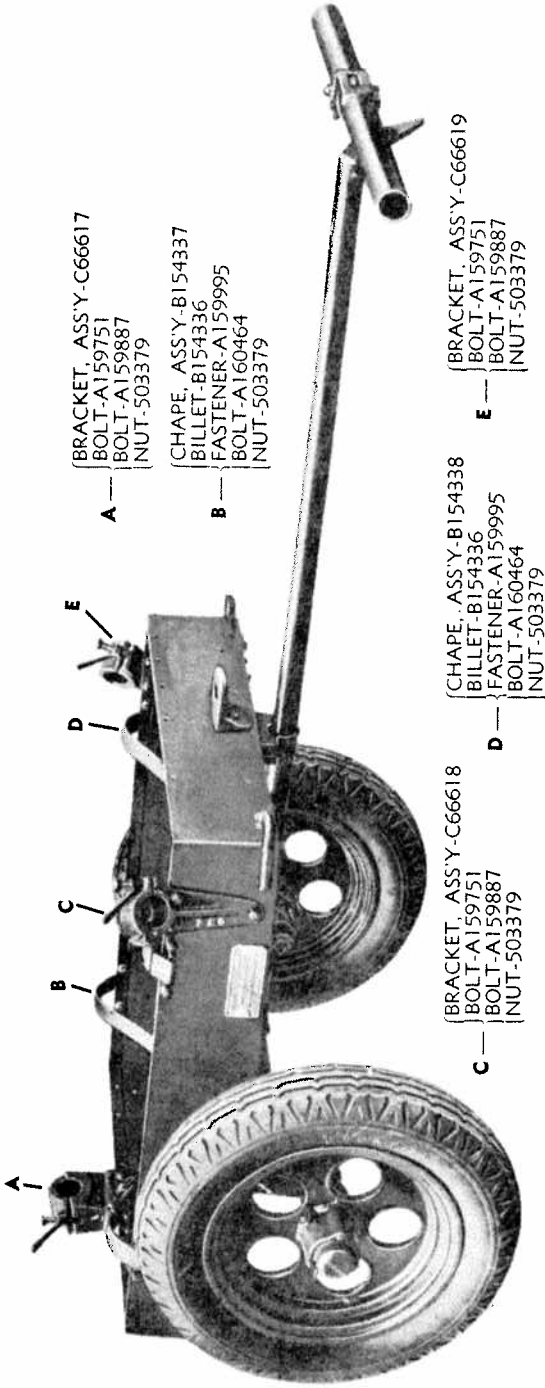


**Figure 1 — Hand Cart M3A4, Side View**



RA PD 103006

**Figure 2 — Hand Cart M3A4, Bottom View**



A — { BRACKET, ASS'Y-C66617  
BOLT-A159751  
BOLT-A159887  
NUT-503379

B — { CHAPE, ASS'Y-B154337  
BILLET-B154336  
FASTENER-A159995  
BOLT-A160464  
NUT-503379

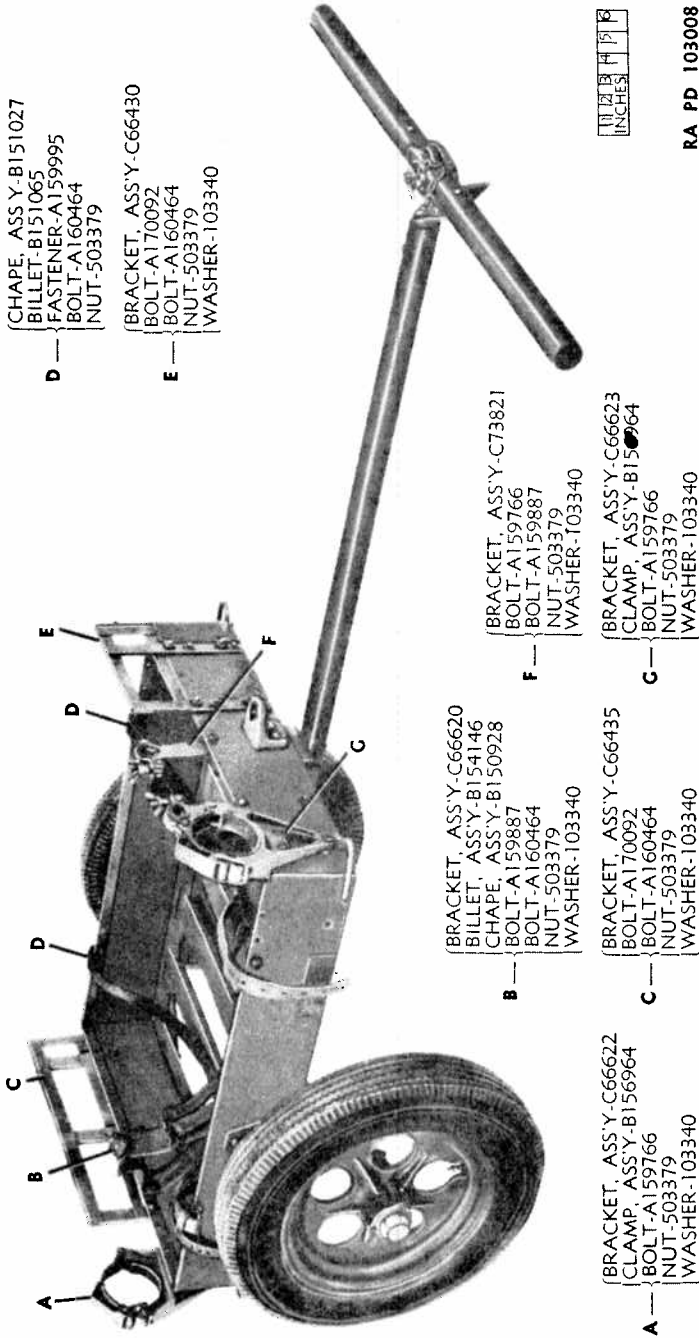
D — { CHAPE, ASS'Y-B154338  
BILLET-B154336  
FASTENER-A159995  
BOLT-A160464  
NUT-503379

C — { BRACKET, ASS'Y-C66618  
BOLT-A159751  
BOLT-A159887  
NUT-503379

E — { BRACKET, ASS'Y-C66619  
BOLT-A159751  
BOLT-A159887  
NUT-503379

RA PD 103007

Figure 3 — Hand Cart M4A1



D --- CHAPE, ASS Y-B151027  
 BILLET-B151065  
 FASTENER-A159995  
 BOLT-A160464  
 NUT-503379

E --- BRACKET, ASS Y-C66430  
 BOLT-A170092  
 BOLT-A160464  
 NUT-503379  
 WASHER-103340

B --- BRACKET, ASS Y-C66620  
 BILLET, ASS Y-B154146  
 CHAPE, ASS Y-B150928  
 BOLT-A159887  
 BOLT-A160464  
 NUT-503379  
 WASHER-103340

A --- BRACKET, ASS Y-C66622  
 CLAMP, ASS Y-B156964  
 BOLT-A159766  
 NUT-503379  
 WASHER-103340

F --- BRACKET, ASS Y-C73821  
 BOLT-A159766  
 BOLT-A159887  
 NUT-503379  
 WASHER-103340

G --- BRACKET, ASS Y-C66623  
 CLAMP, ASS Y-B156964  
 BOLT-A159766  
 NUT-503379  
 WASHER-103340



RA PD 103008

Figure 4 — Hand Cart M6A1

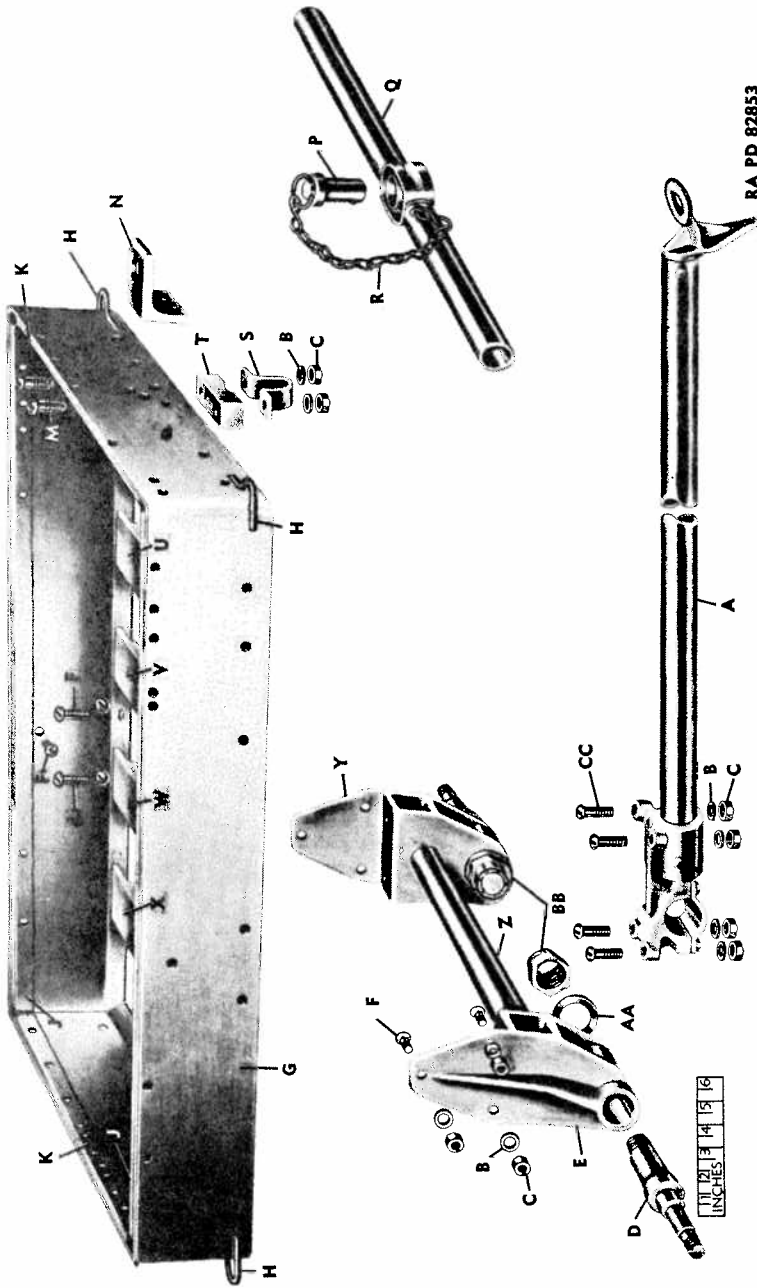
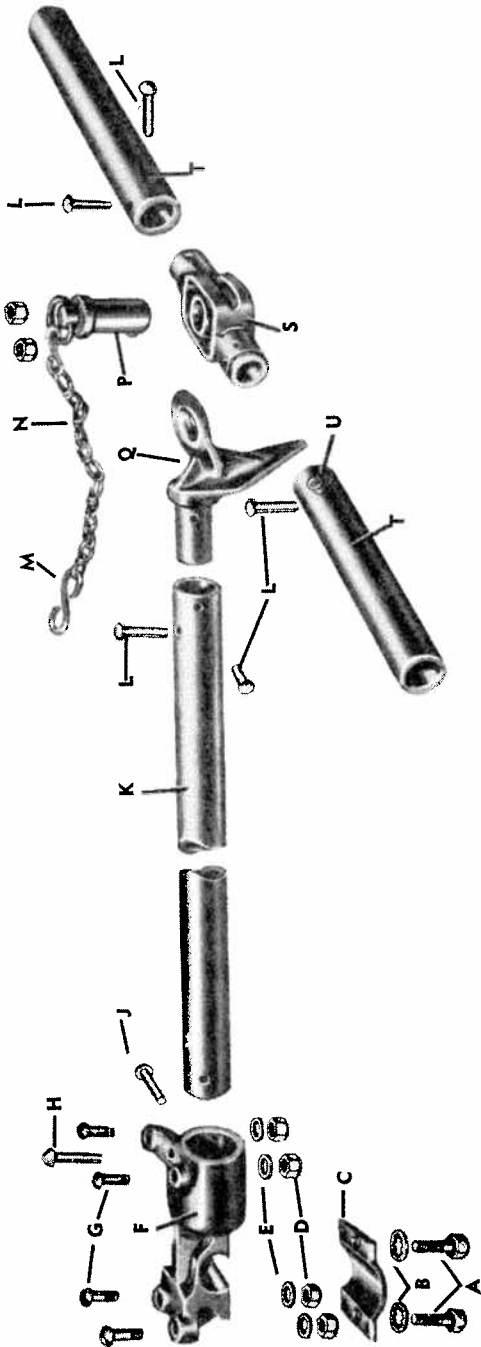


Figure 5 — Body and Chassis, Hand Carts, Parts



<b>A</b> --- TONGUE, ASS'Y - C68001	<b>Q</b> --- DRAWBAR ASS'Y - B156955
<b>B</b> --- WASHER-103340	<b>R</b> --- CHAIN ASS'Y - SDBX2BC
<b>C</b> --- NUT-503379	<b>S</b> --- CLAMP - A159752
<b>D</b> --- SPINDLE - B153877	<b>T</b> --- BLOCK - A159835
<b>E</b> --- BRACKET - C67108	<b>U</b> --- CHANNEL - B224878
<b>F</b> --- BOLT - A159751	<b>V</b> --- CHANNEL - B224876
<b>G</b> --- FRAME - D54581	<b>W</b> --- CHANNEL - B224879
<b>H</b> --- LOOP - A238516	<b>X</b> --- CHANNEL - B224880
<b>J</b> --- STRIP - A238518	<b>Y</b> --- BRACKET - C67112
<b>K</b> --- STRIP - A238517	<b>Z</b> --- AXLE - B153876
<b>L</b> --- BOLT - A159887	<b>AA</b> --- WASHER-103348
<b>M</b> --- BOLT - A159694	<b>BB</b> --- NUT-109879
<b>N</b> --- BRACKET - B154016	<b>CC</b> --- BOLT - A159876
<b>P</b> --- PIN ASS'Y - A169135	<b>RA PD 103009</b>

**Figure 5A — Body and Chassis, Hand Carts, Nomenclature**



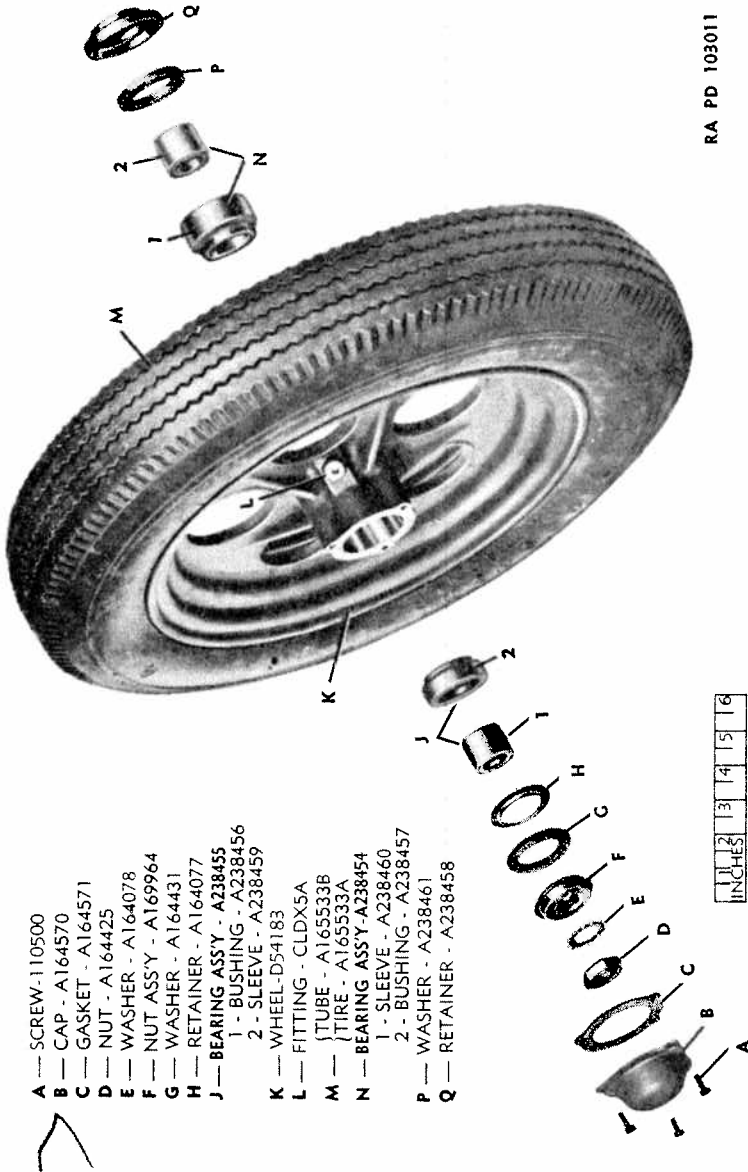
- |                           |                                 |
|---------------------------|---------------------------------|
| <b>A</b> — SCREW-2116971  | <b>K</b> — TONGUE, ASS'Y-C64808 |
| <b>B</b> — WASHER-106497  | <b>L</b> — RIVET-108682         |
| <b>C</b> — STRAP-A164067  | <b>M</b> — HOOK-506880          |
| <b>D</b> — NUT-503379     | <b>N</b> — CHAIN-SDBX1B         |
| <b>E</b> — WASHER-103340  | <b>P</b> — PIN, ASS'Y-A169135   |
| <b>F</b> — BRACKET-C66291 | <b>Q</b> — LUNETTE-C64765       |
| <b>G</b> — BOLT-A159876   | <b>S</b> — YOKE-B1050881        |
| <b>H</b> — RIVET-113491   | <b>T</b> — HANDLE-A159665       |
| <b>J</b> — RIVET-134667   | <b>U</b> — RIVET-A159668        |

RA PD 103010

Figure 6 — Tongue and Drawbar Parts, Hand Carts

WVVM  
B-705

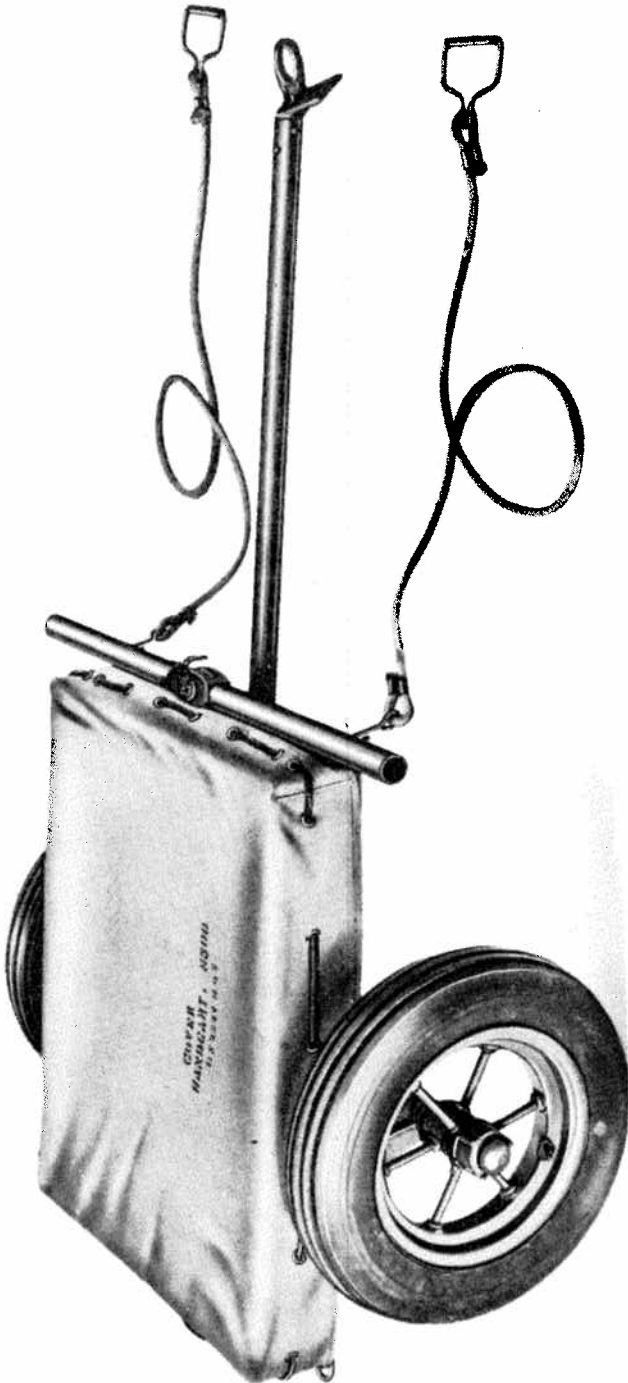
RA PD 103011



- A --- SCREW - 110500
- B --- CAP - A164570
- C --- GASKET - A164571
- D --- NUT - A164425
- E --- WASHER - A164078
- F --- NUT ASSY - A169964
- G --- WASHER - A164431
- H --- RETAINER - A164077
- J --- BEARING ASSY - A238455
  - 1 - BUSHING - A238456
  - 2 - SLEEVE - A238459
- K --- WHEEL - D54183
- L --- FITTING - CLDX5A
- M --- TUBE - A165533B
- TIRE - A165533A
- N --- BEARING ASSY - A238454
  - 1 - SLEEVE - A238460
  - 2 - BUSHING - A238457
- P --- WASHER - A238461
- Q --- RETAINER - A238458

1	2	3	4	5	6
INCHES					

Figure 7 — Wheel Group Parts, Hand Carts



RA PD 103012

Figure 8 — Hand Cart M3A4 w/Cover and Tow Ropes